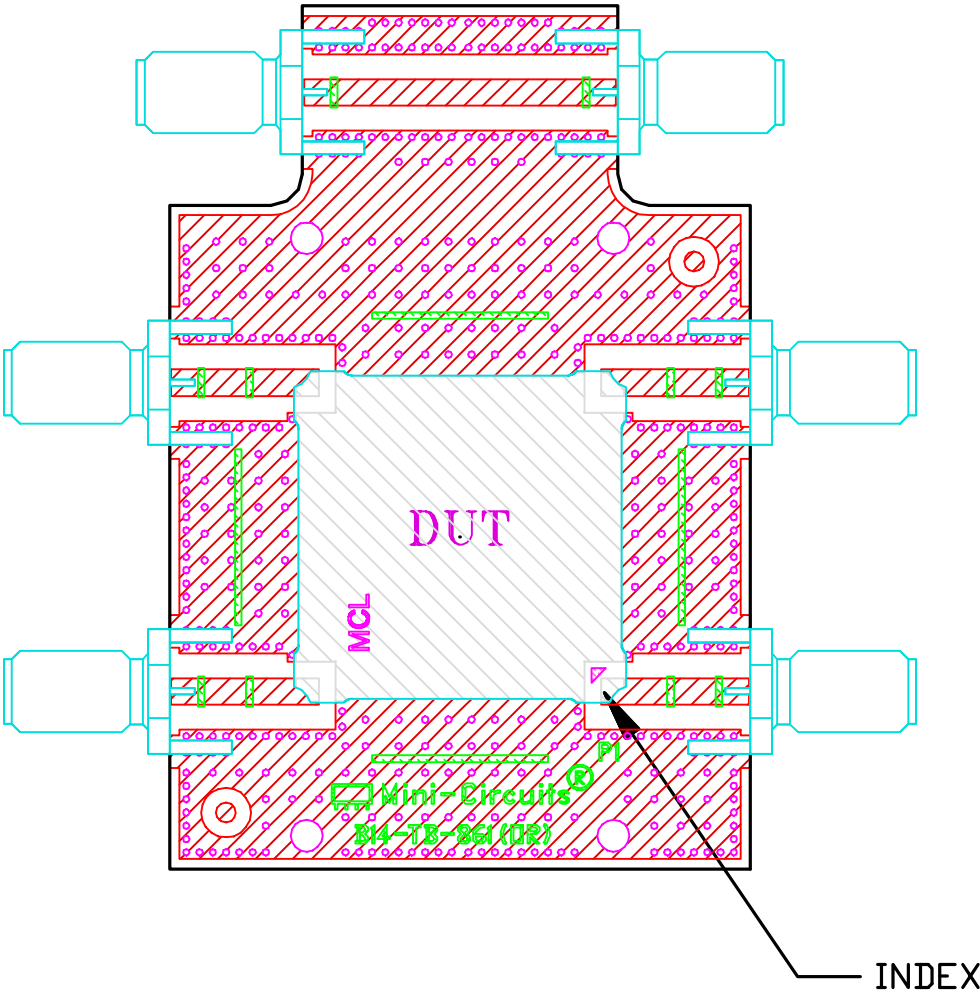


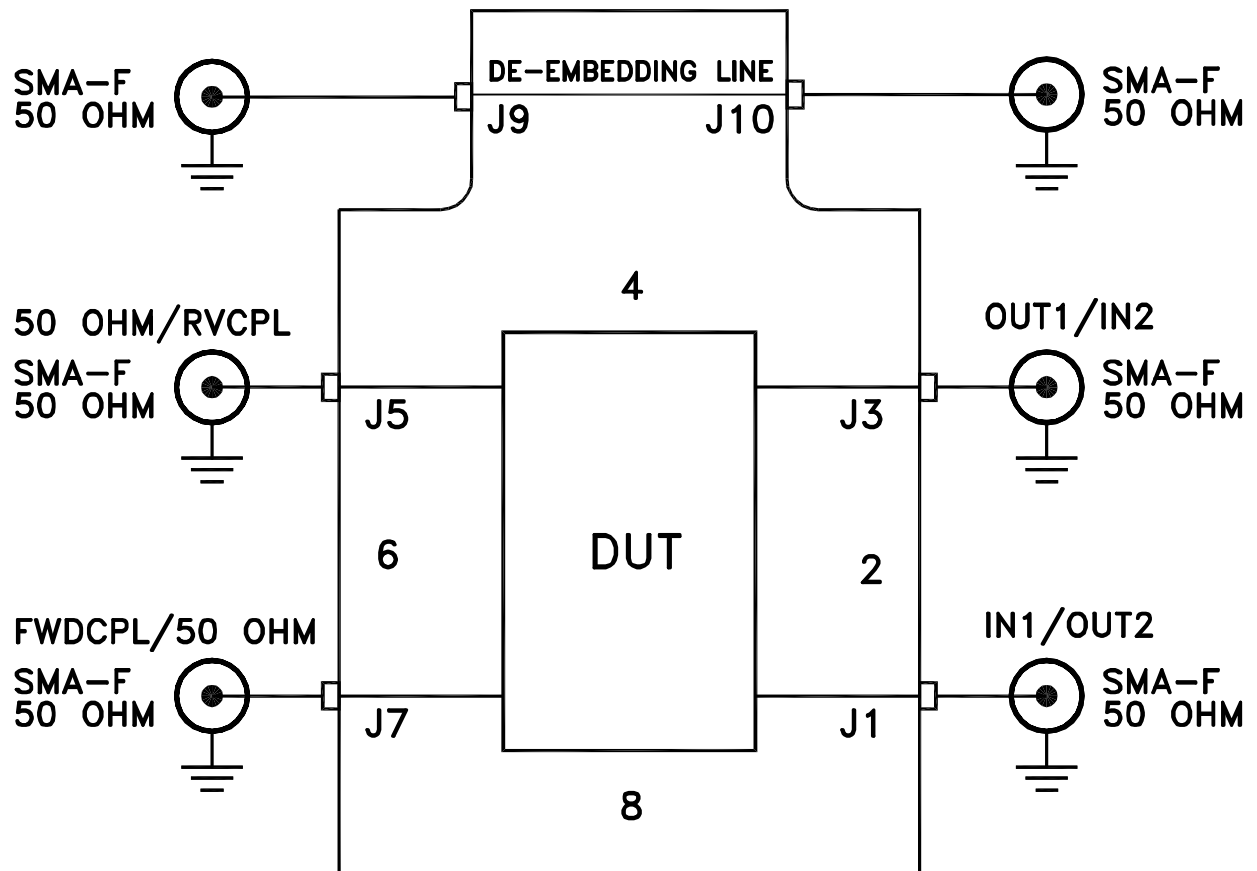
# Evaluation Board and Circuit



TB-861

**NOTES:**

- 1. SMA FEMALE CONNECTORS.
- 2. PCB MATERIAL: ROGERS R04003C OR EQUIVALENT, DIELECTRIC CONSTANT=3.5, DIELECTRIC THICKNESS=.032 INCH.



TB-861  
Schematic Diagram