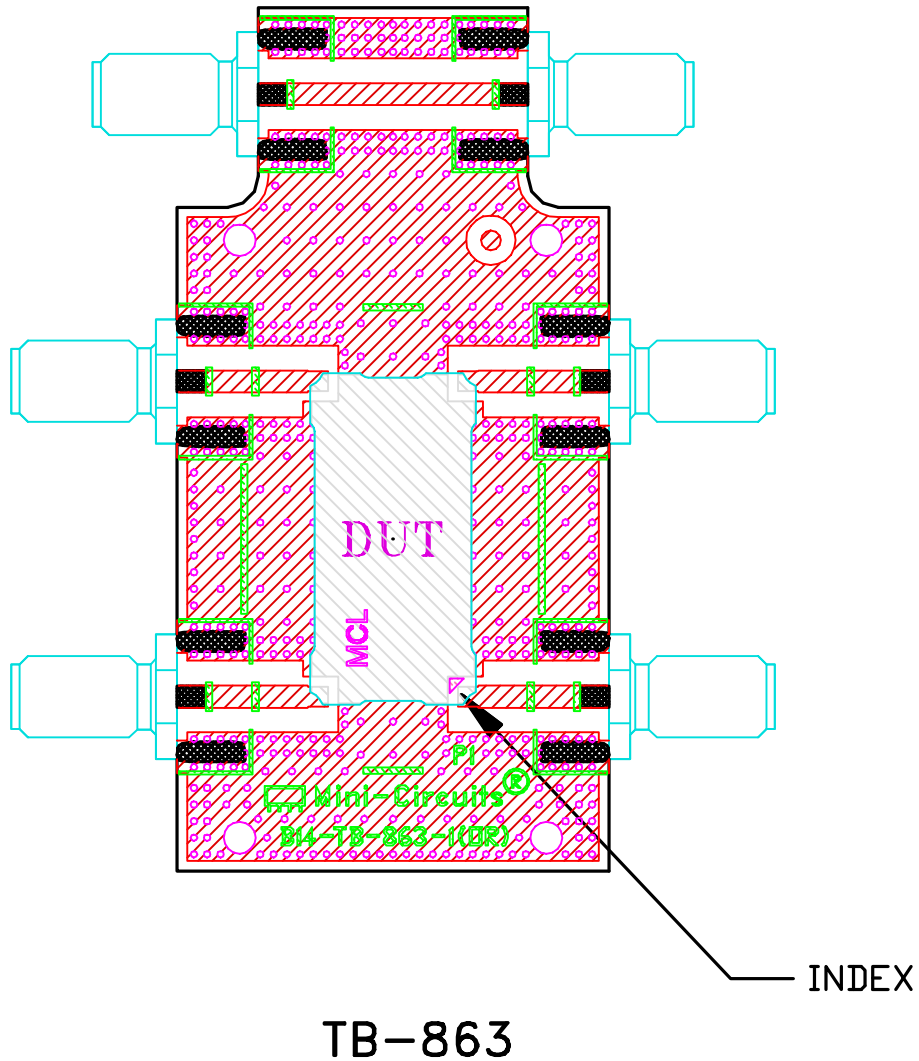
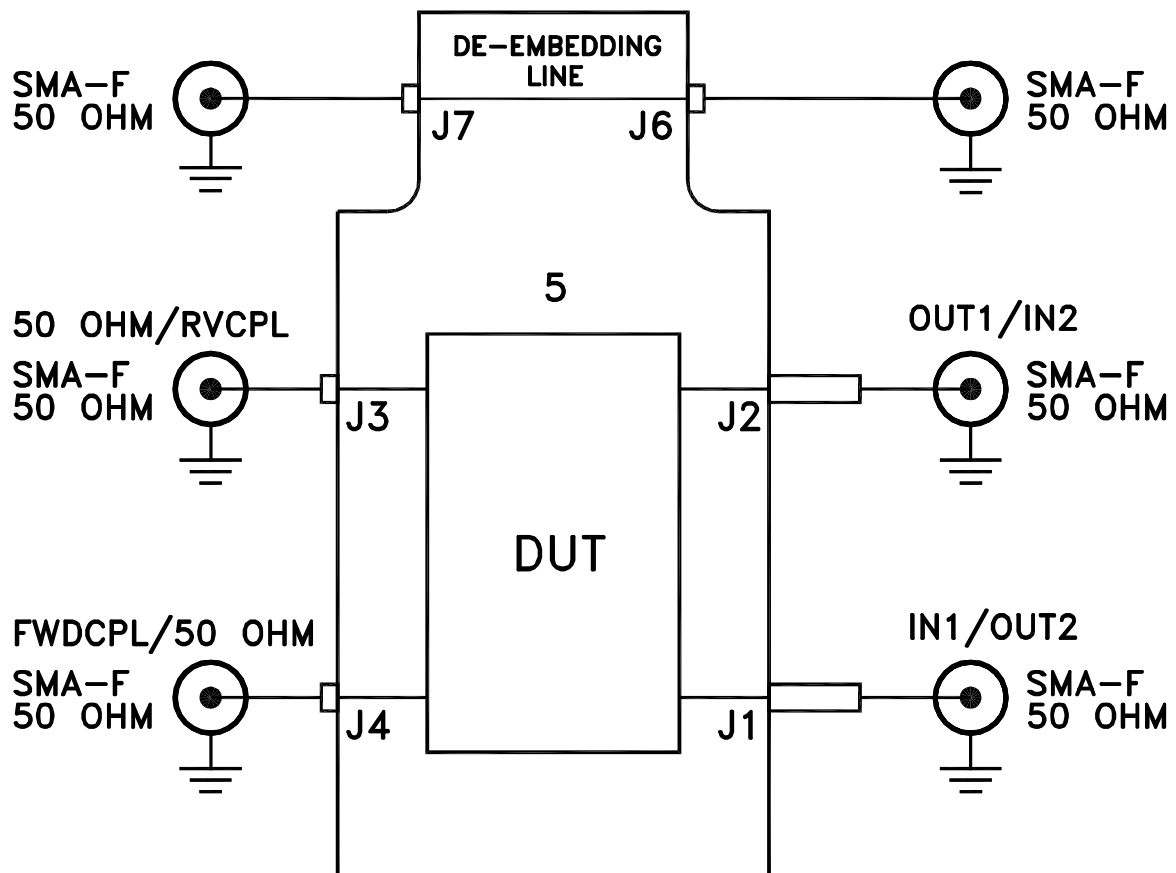


# Evaluation Board and Circuit



## NOTES:

1. SMA FEMALE CONNECTORS.
2. PCB MATERIAL: ROGERS RO4003C OR EQUIVALENT, DIELECTRIC CONSTANT=3.5, DIELECTRIC THICKNESS=.032 INCH.



TB-863  
 Schematic Diagram