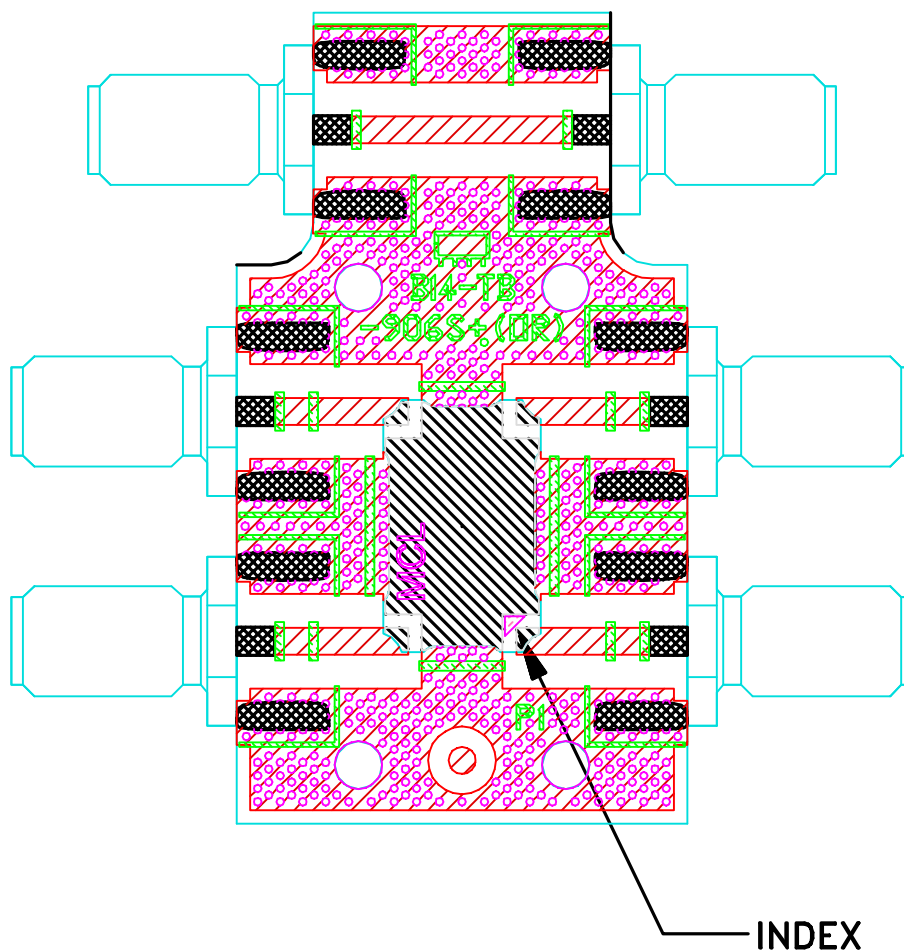


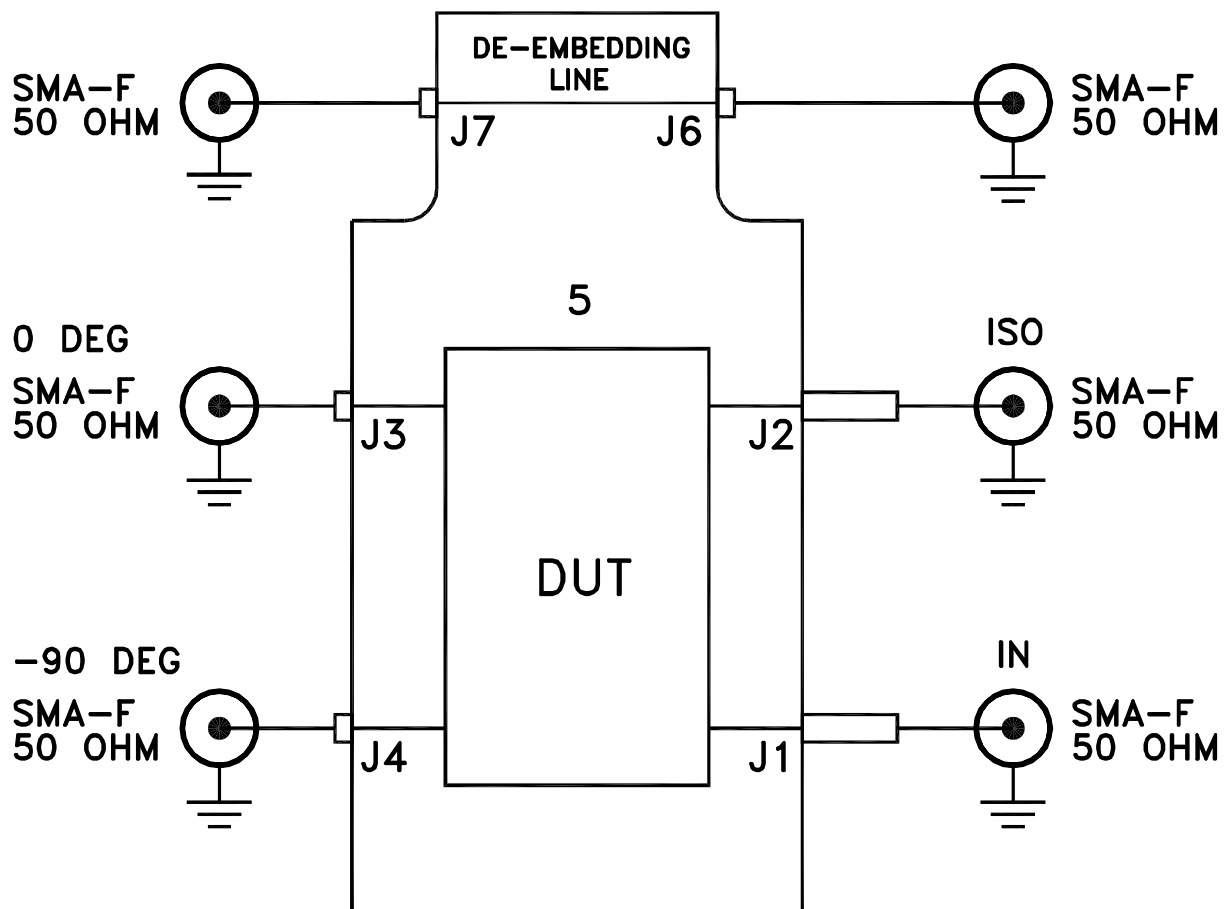
# Evaluation Board and Circuit



TB-906+

## NOTES:

1. SMA FEMALE CONNECTORS.
2. PCB MATERIAL: ROGERS RT/DUROID 5880 OR EQUIVALENT,  
DIELECTRIC CONSTANT=2.2, DIELECTRIC THICKNESS=.020 INCH.



TB-906+  
Schematic Diagram