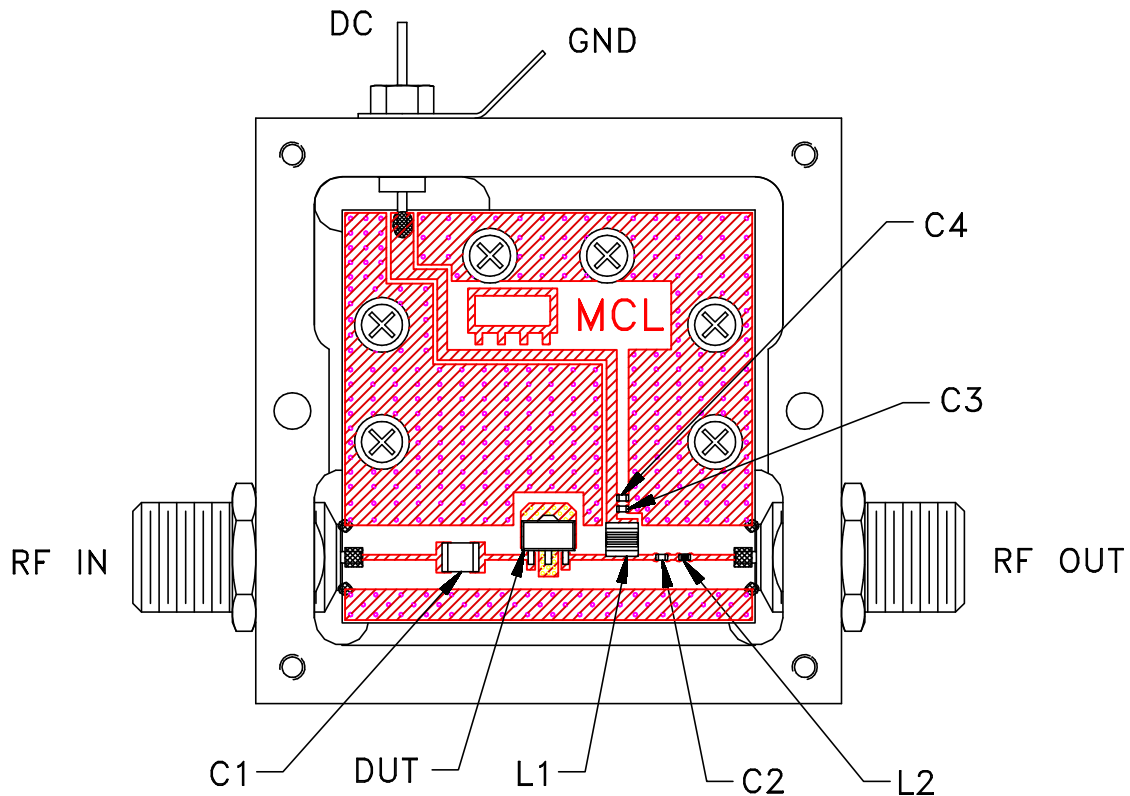
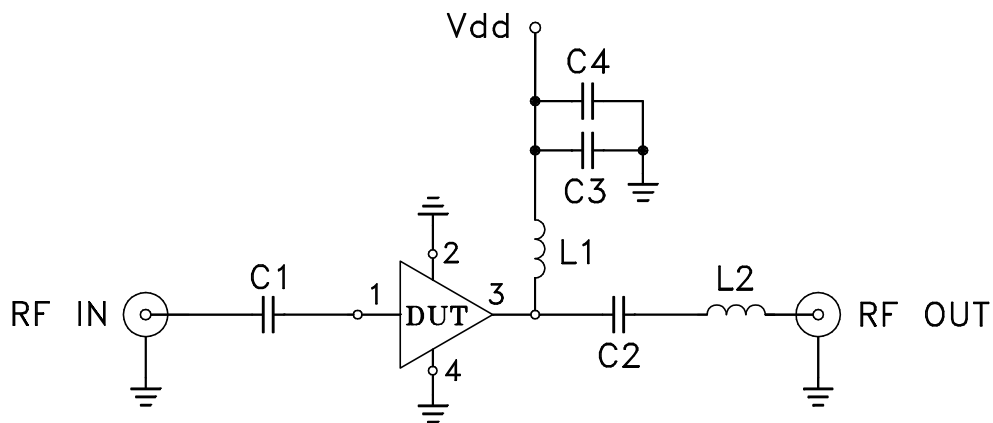


Evaluation Board and Circuit



TB-916+




COMPONENT	VALUE	SIZE
DUT	PGA-32-75+	SOT89
C1	10 μ F	1210
C2	0.01 μ F	0402
C3	0.001 μ F	
C4	0.1 μ F	
L1	6800nH	1008
L2	12 nH	0402

Schematic Diagram

Notes:

1. 75 Ohm F-type Female connectors.
2. PCB Material: FR4 or equivalent,
Dielectric Constant=4.6, Thickness=.020 inch.

 **Mini-Circuits®**