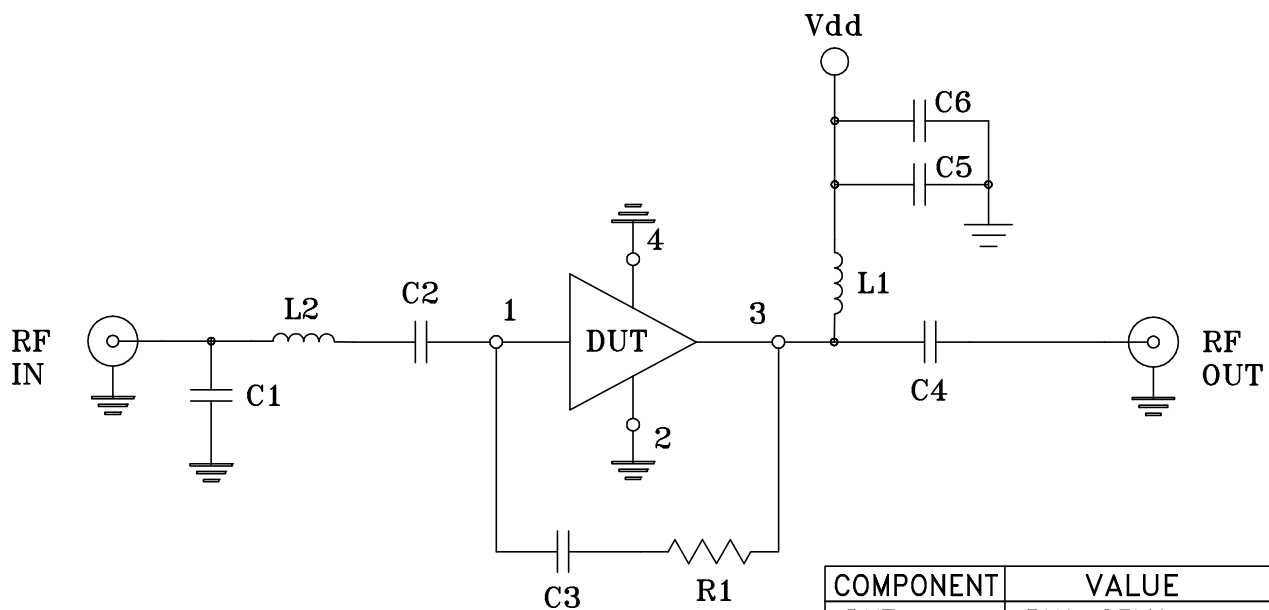
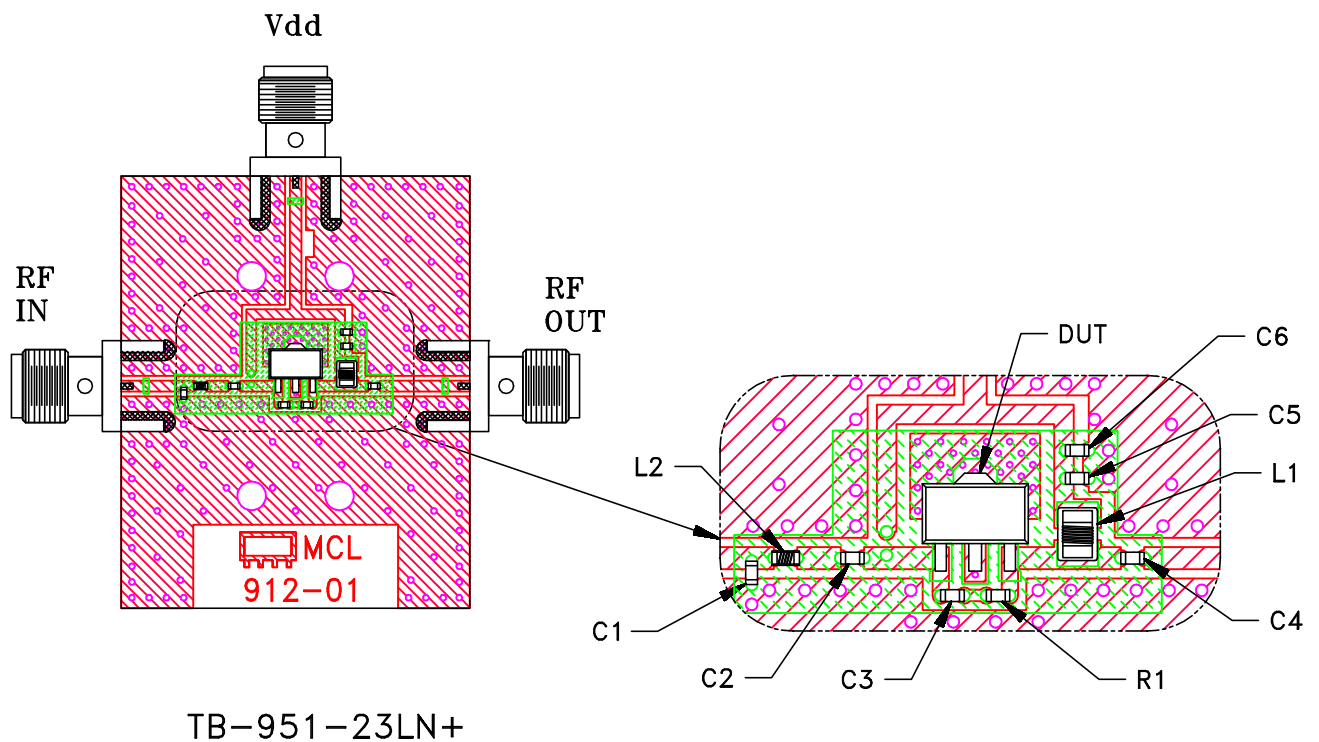


Evaluation Board and Circuit



Schematic Diagram

COMPONENT	VALUE	SIZE
DUT	PHA-23LN+	SOT-89
C1	Capacitor 1.2 pF	0402
C2,C3,C6	Capacitor 0.1 uF	
C4	Capacitor 0.001 uF	
C5	Capacitor 0.01 uF	
R1	Resistor 1.21 KOhm	
L1	Inductor 0.680 uH	0805
L2	Inductor 1.0 nH	0402

Notes:

1. 50 Ohm SMA Female connectors.
2. PCB Material: R04350 or equivalent,
Dielectric Constant=3.5, Thickness=.020 inch.

