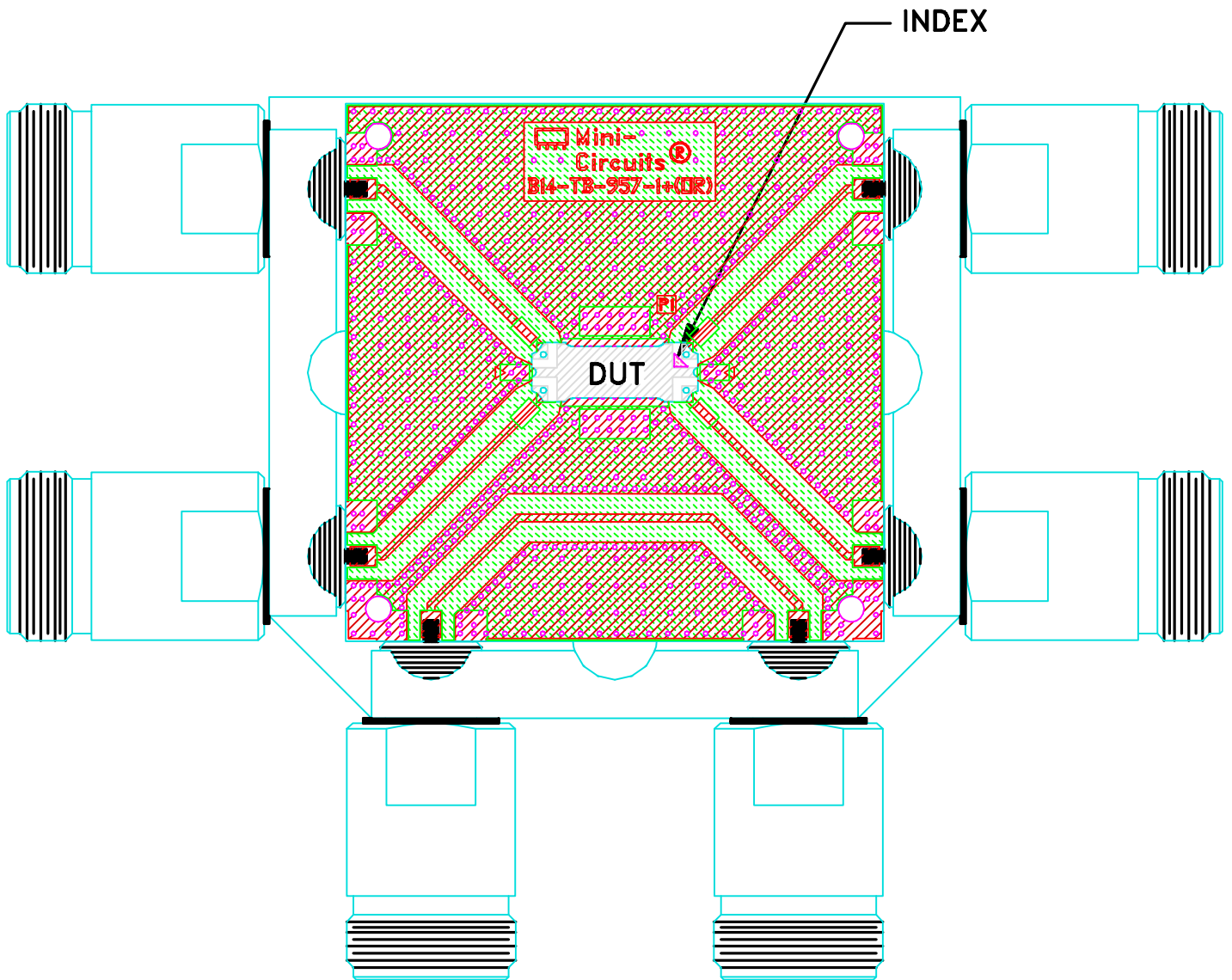


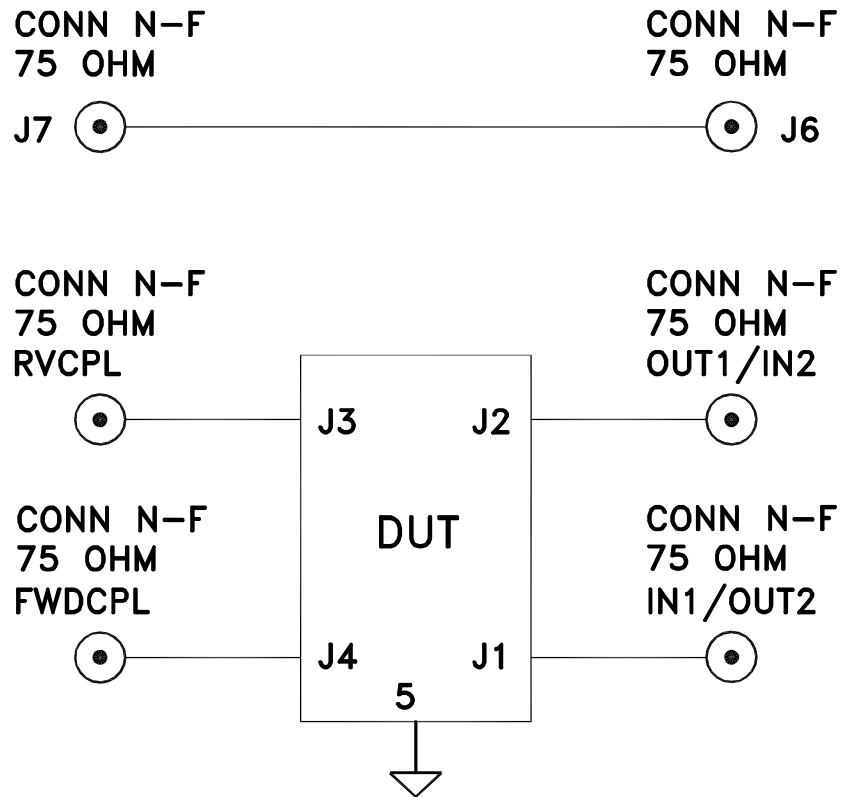
Evaluation Board and Circuit



TB-957-1+

NOTES:

1. N-TYPE FEMALE CONNECTORS.
2. PCB MATERIAL: ROGERS R04350B OR EQUIVALENT,
DIELECTRIC CONSTANT=3.5,
DIELECTRIC THICKNESS=.030 INCH.



TB-957-1+
Schematic Diagram