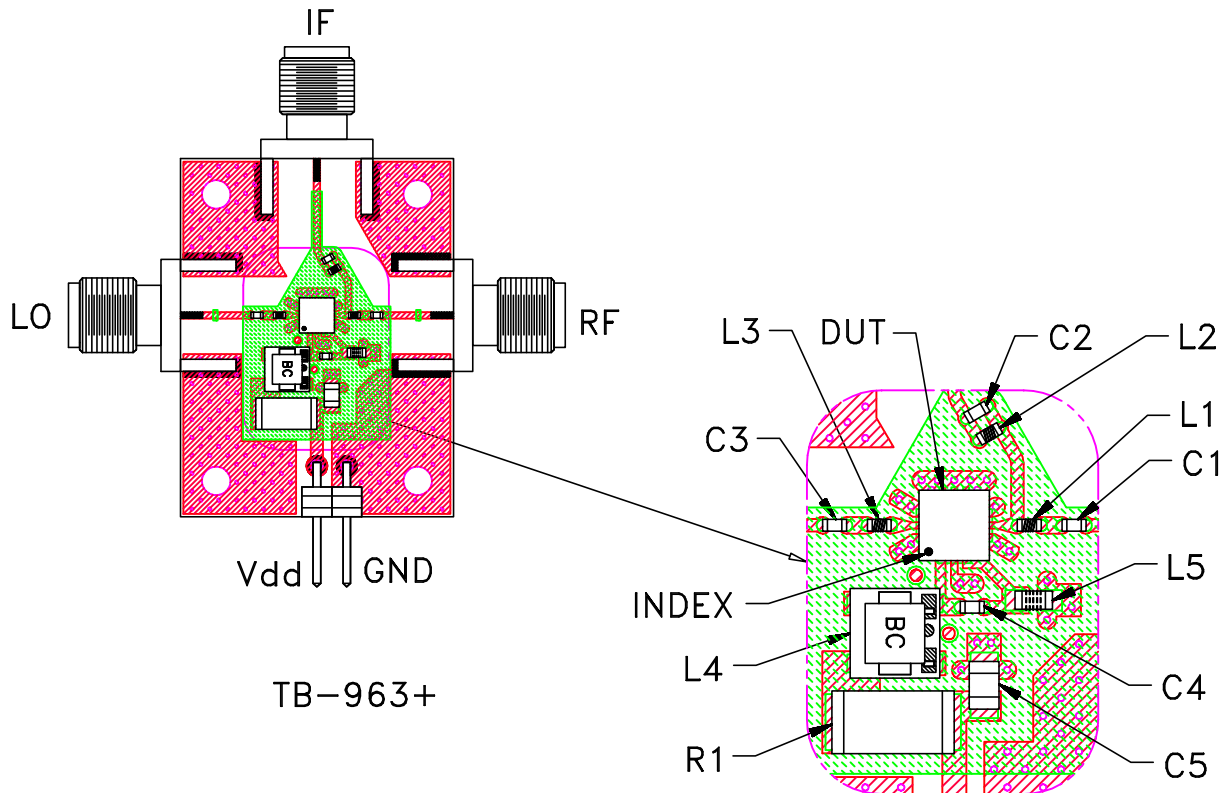
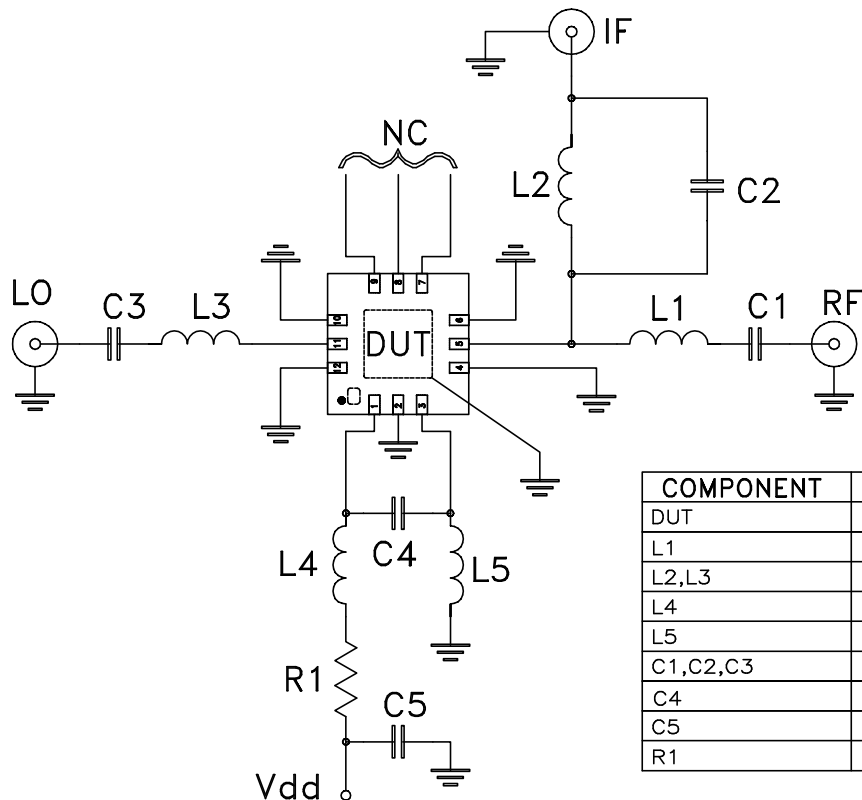


Evaluation Board and Circuit



TB-963+




COMPONENT	TYPE AND VALUE	SIZE
DUT	Mini-Circuits MA3-242LH-1+	3X3 mm
L1	Inductor 6.8 nH	0605
L2,L3	Inductor 7.5 nH	
L4	Mini-Circuits TCH-80+	3.81X3.81 mm
L5	Inductor 15 nH	0605
C1,C2,C3	Capacitor 3.3 pF	0402
C4	Capacitor 100 pF	
C5	Capacitor 0.1 uF	0805
R1	Resistor 47.5 Ohm	0603

Notes:

1. 50 Ohm SMA Female connectors.
2. PCB Material: R04350 or equivalent,
Dielectric Constant=3.5, Thickness=.010 inch.

Schematic Diagram

 **Mini-Circuits®**