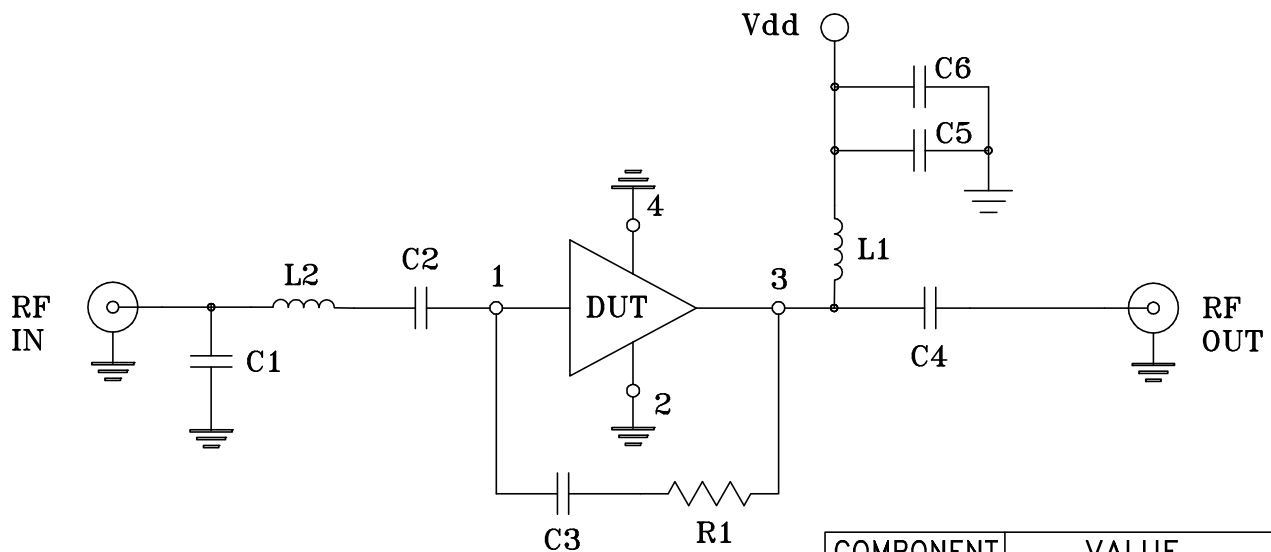
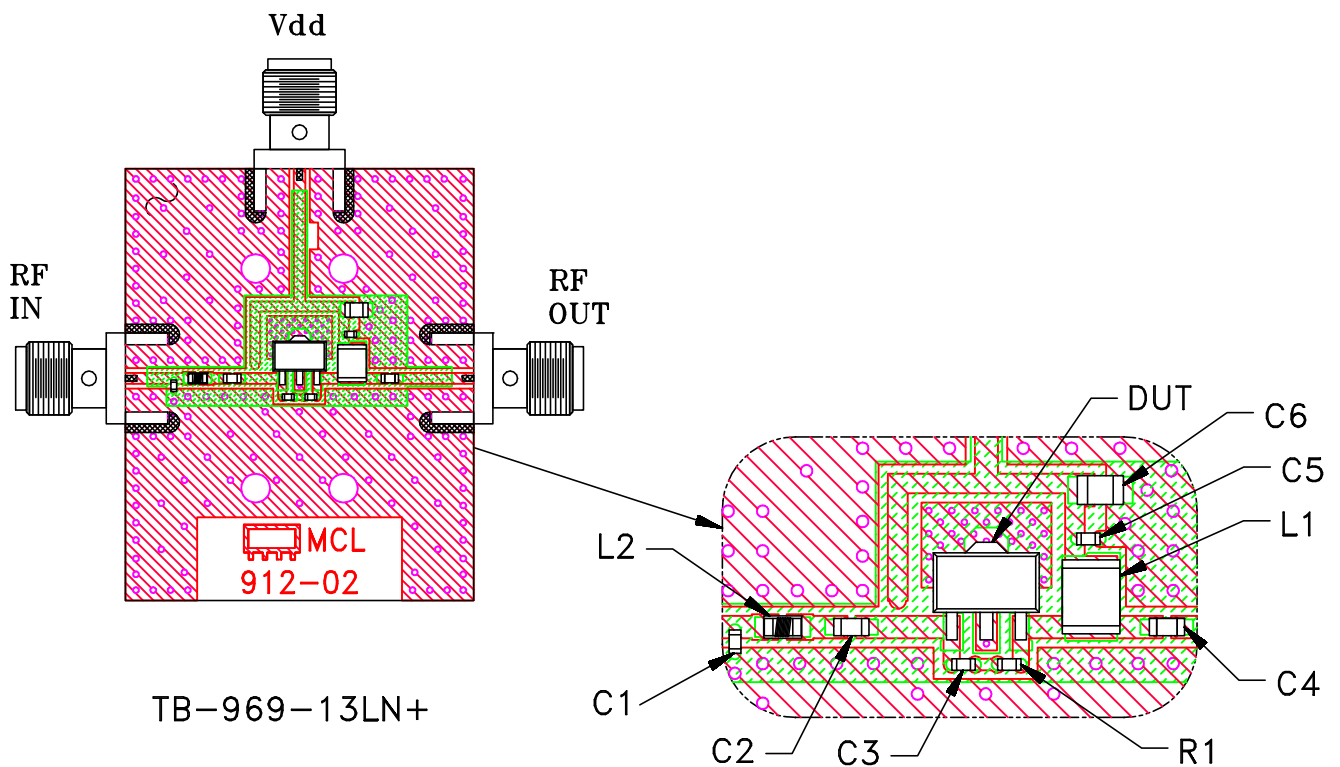


# Evaluation Board and Circuit



Schematic Diagram

**Notes:**

1. 50 Ohm SMA Female connectors.
2. PCB Material: R04350 or equivalent,  
Dielectric Constant=3.5, Thickness=.020 inch.

COMPONENT	VALUE	SIZE
DUT	PHA-13LN+	SOT-89
C1	Capacitor 1.5 pF	0402
C2,C4	Capacitor 2.2 uF	0603
C3	Capacitor 0.1 uF	0402
C5	Capacitor 0.001 uF	
C6	Capacitor 10 uF	0805
R1	Resistor 1.5 KOhm	0402
L1	Inductor 15 uH	1210
L2	Inductor 5.1 nH	0603

**Mini-Circuits®**