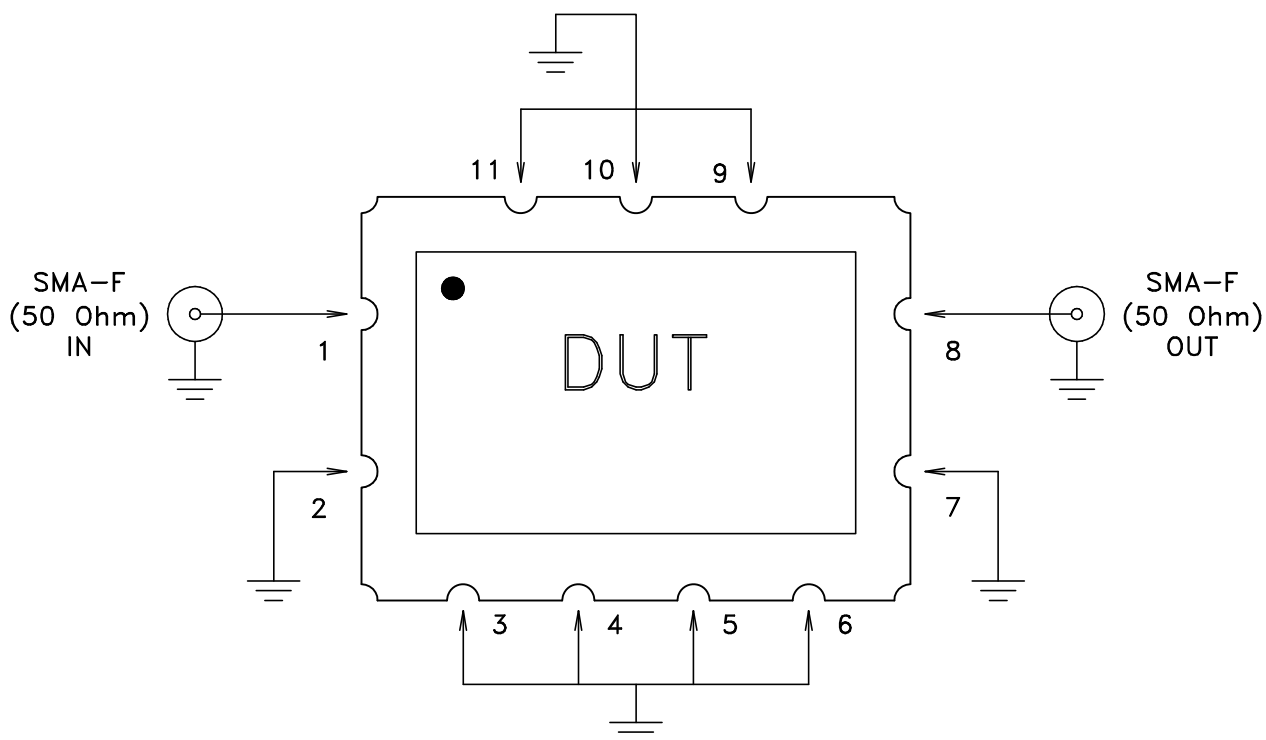
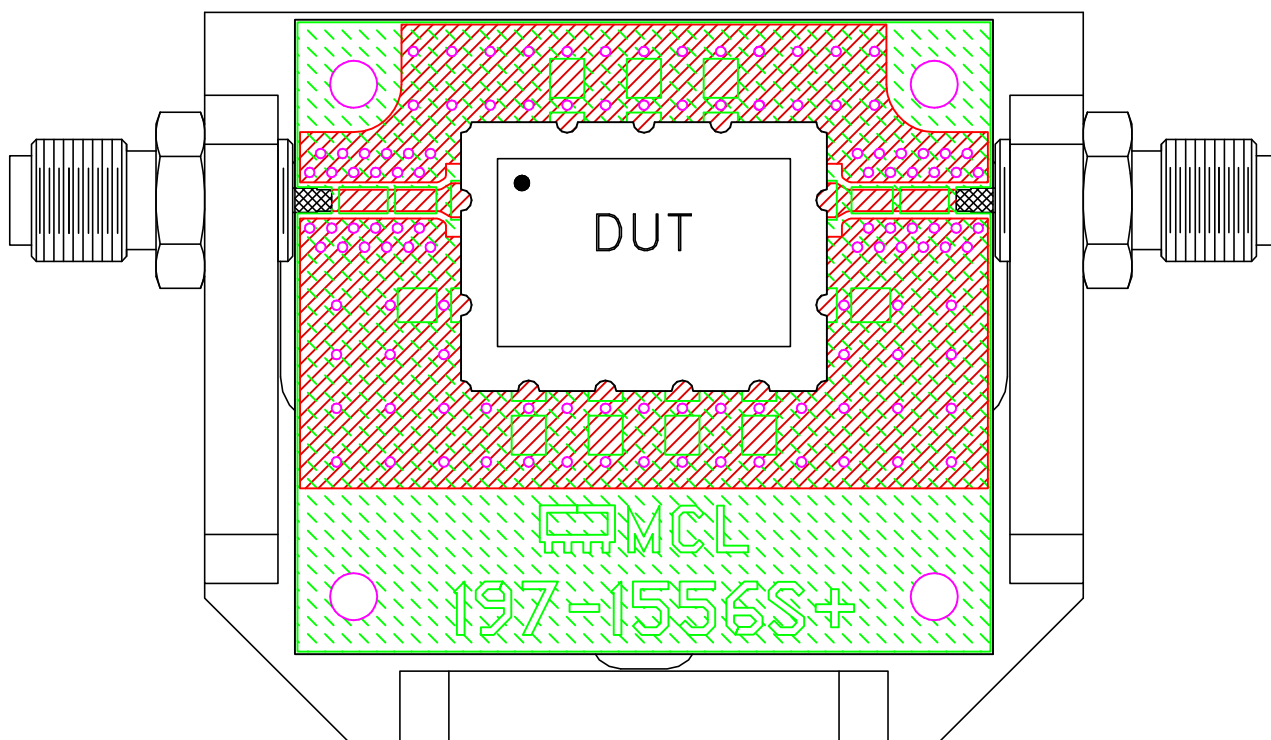



Evaluation Board and Circuit

TB-984+



Notes:

1. 50 Ohm SMA Female connectors.
2. PCB Material: ROGERS OR Equivalent
Dielectric Constant= $3.48 \pm .05$, Thickness=.023 inch.

 **Mini-Circuits®**