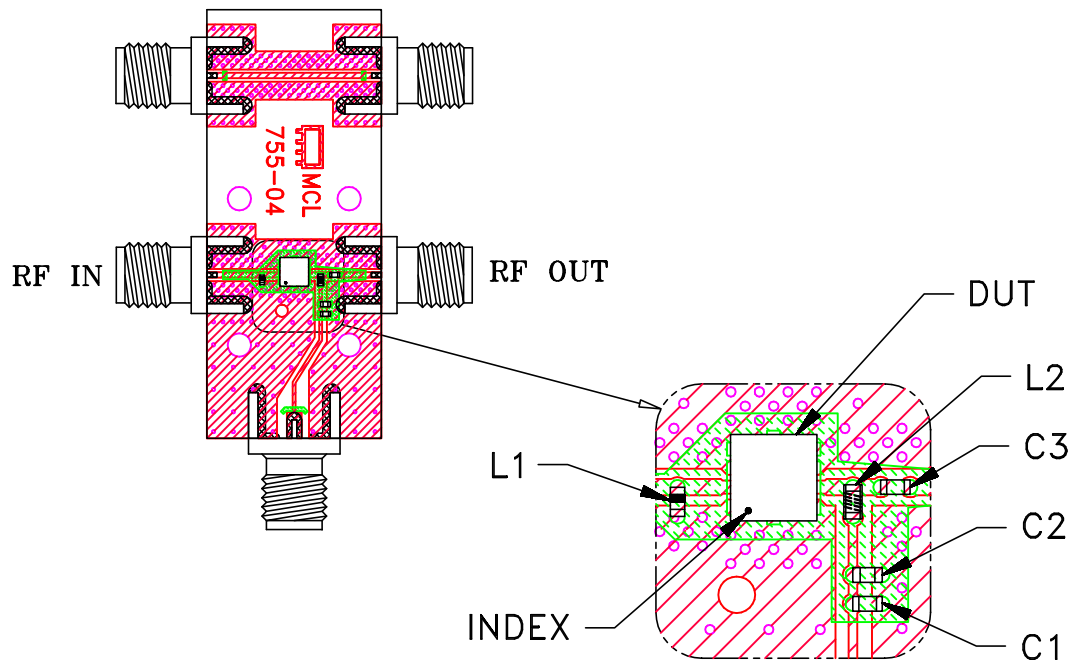
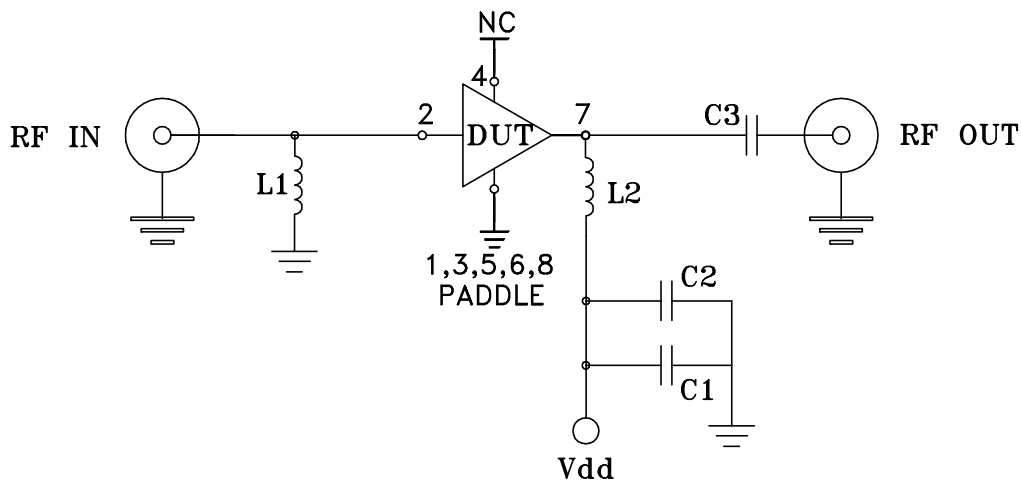


# Evaluation Board and Circuit



TB-994+




COMPONENT	VALUE	SIZE
DUT	CMA-83LN+	3X3 MM
C1	0.1 $\mu$ F	0402
C2	10 pF	
C3	100 pF	
L1	18 nH	
L2	39 nH	

## Schematic Diagram

### Notes:

1. 50 Ohm SMA Female connectors.
2. PCB Material: R04350 or equivalent,  
Dielectric Constant=3.5, Thickness=.010 inch.

 **Mini-Circuits®**