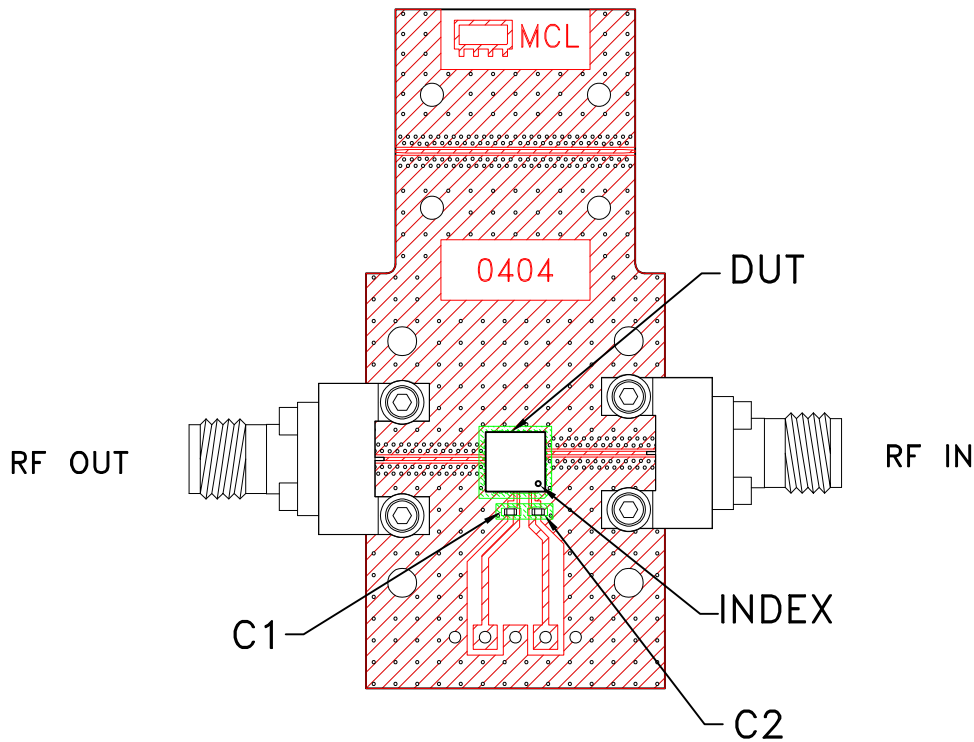
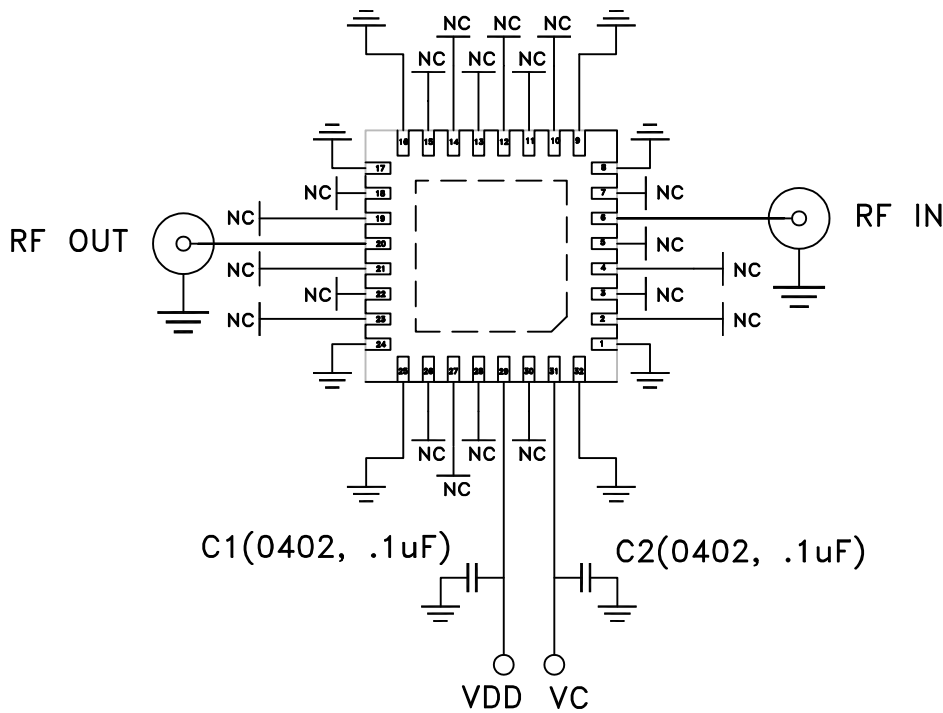


Evaluation Board and Circuit



TB-AVA-0233LNC+



Notes:

Schematic Diagram

1. 50 Ohm 2.4 mm Female end launch connectors.
2. PCB Material: R04350B or equivalent,
Dielectric Constant=3.5 Thickness=.0066 inch.

 **Mini-Circuits®**