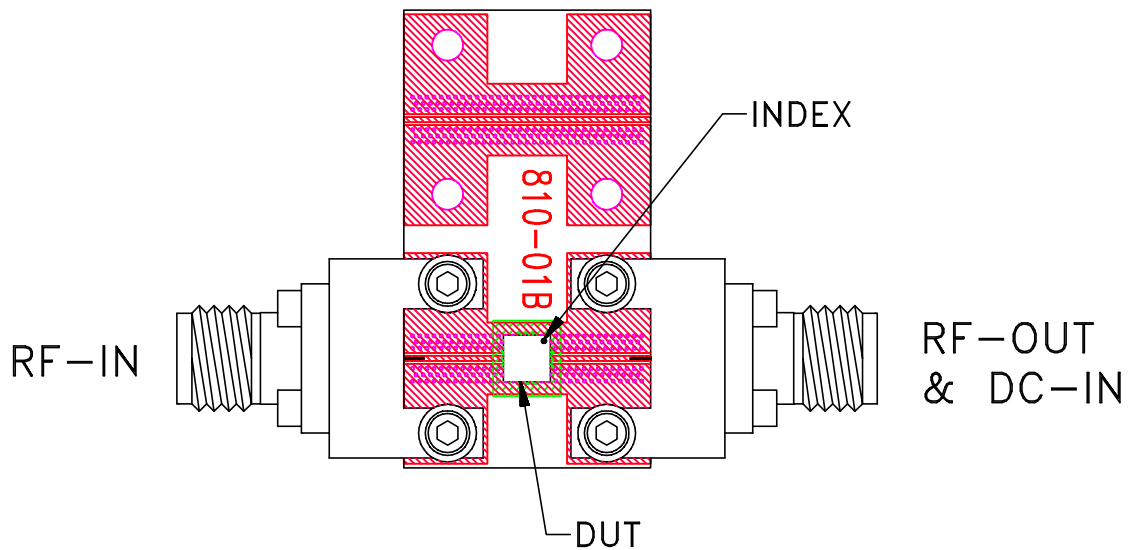
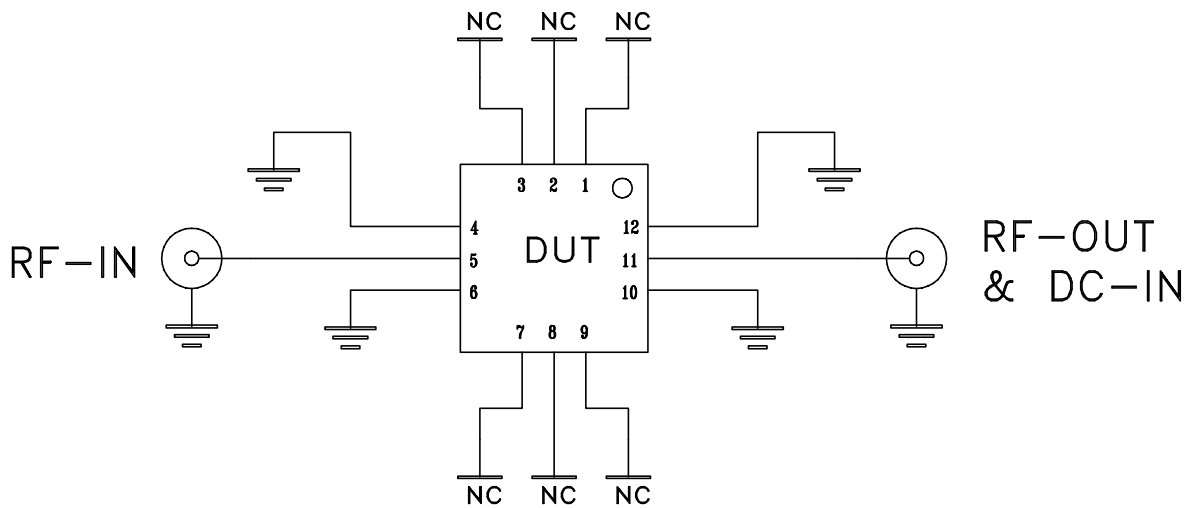


# Evaluation Board and Circuit




EVAL BOARD FOR AVA-183PC+



Schematic Diagram

## Notes:

1. 50 Ohm 2.92 mm Female connectors.
2. PCB Material: R04350 or equivalent,  
Dielectric Constant=3.5, Thickness=.0066 inch.

 **Mini-Circuits®**