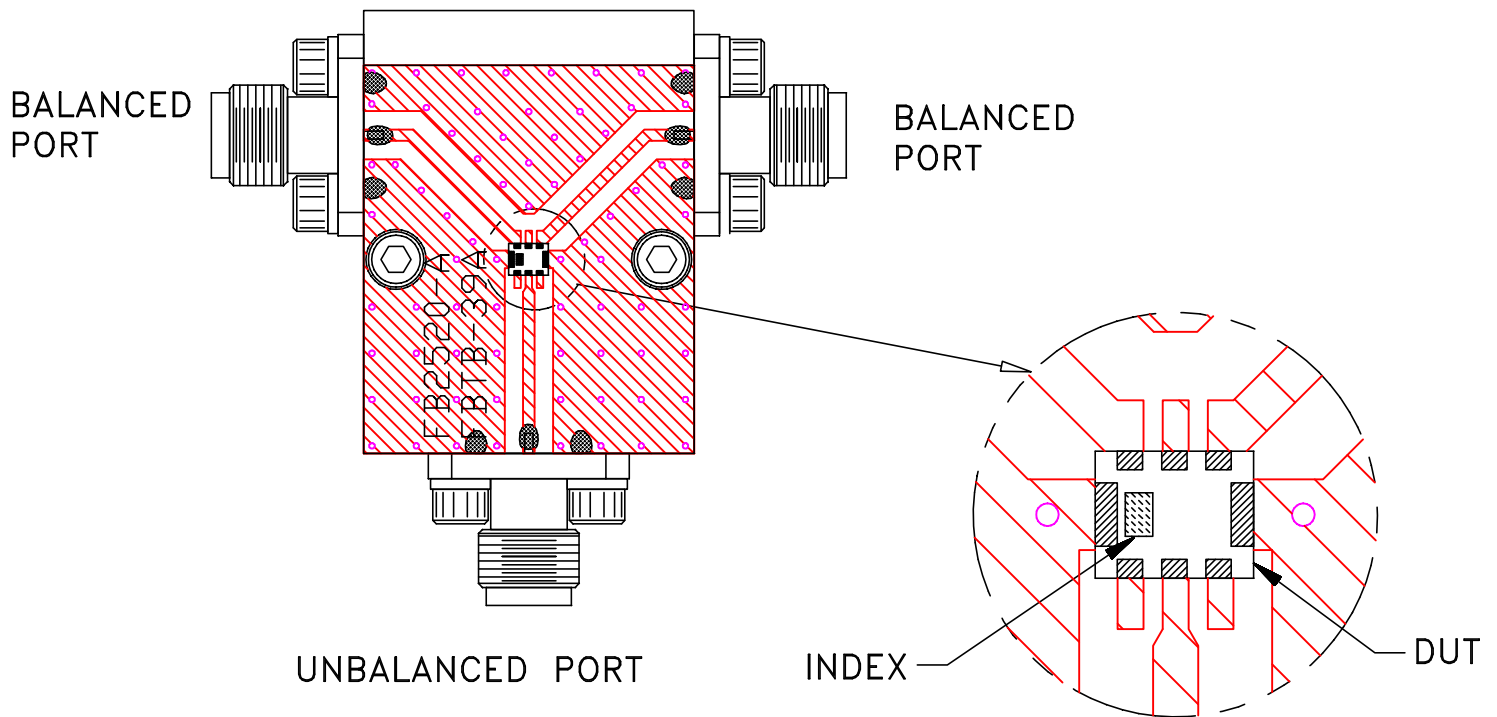
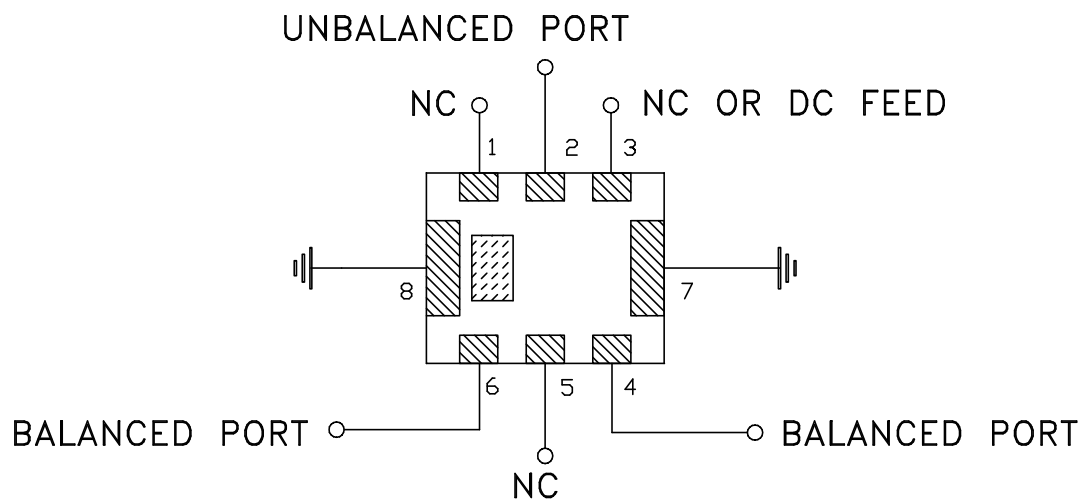


# Evaluation Board and Circuit




TB-BBFCQ2-252+



Schematic Diagram

## Notes:

1. 50 Ohm SMA Female connectors.
2. PCB Material: FR4 or equivalent, Dielectric Constant=4.5, Thickness=.016 inch.

 **Mini-Circuits®**