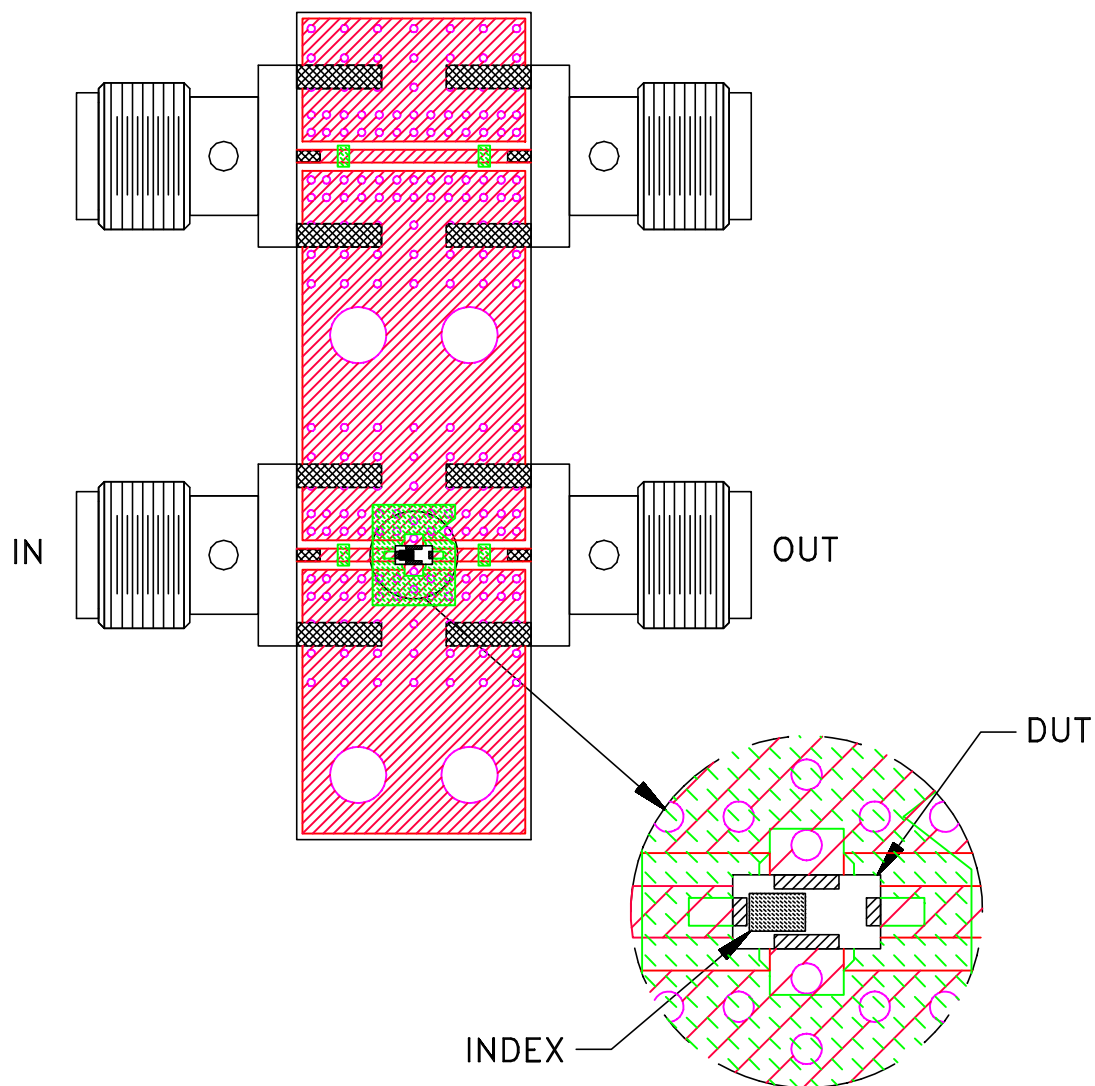
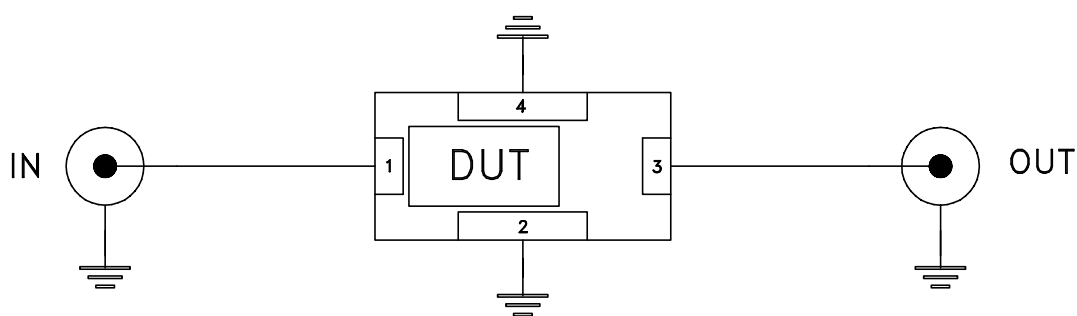


Evaluation Board and Circuit




TB-BPJC-542R+



Schematic Diagram

Notes:

1. 50 Ohm 2.92 mm End Launch Female connectors.
2. PCB Material: R04350 or equivalent,
Dielectric Constant=3.5, Thickness=.010 inch.

 **Mini-Circuits®**