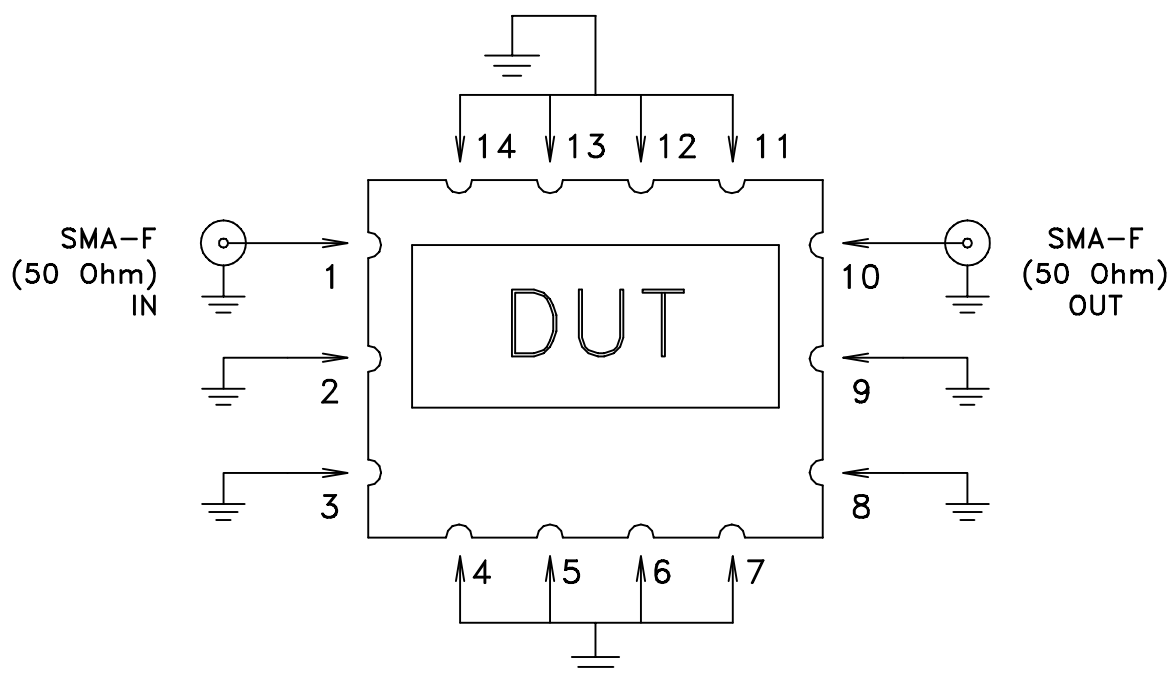
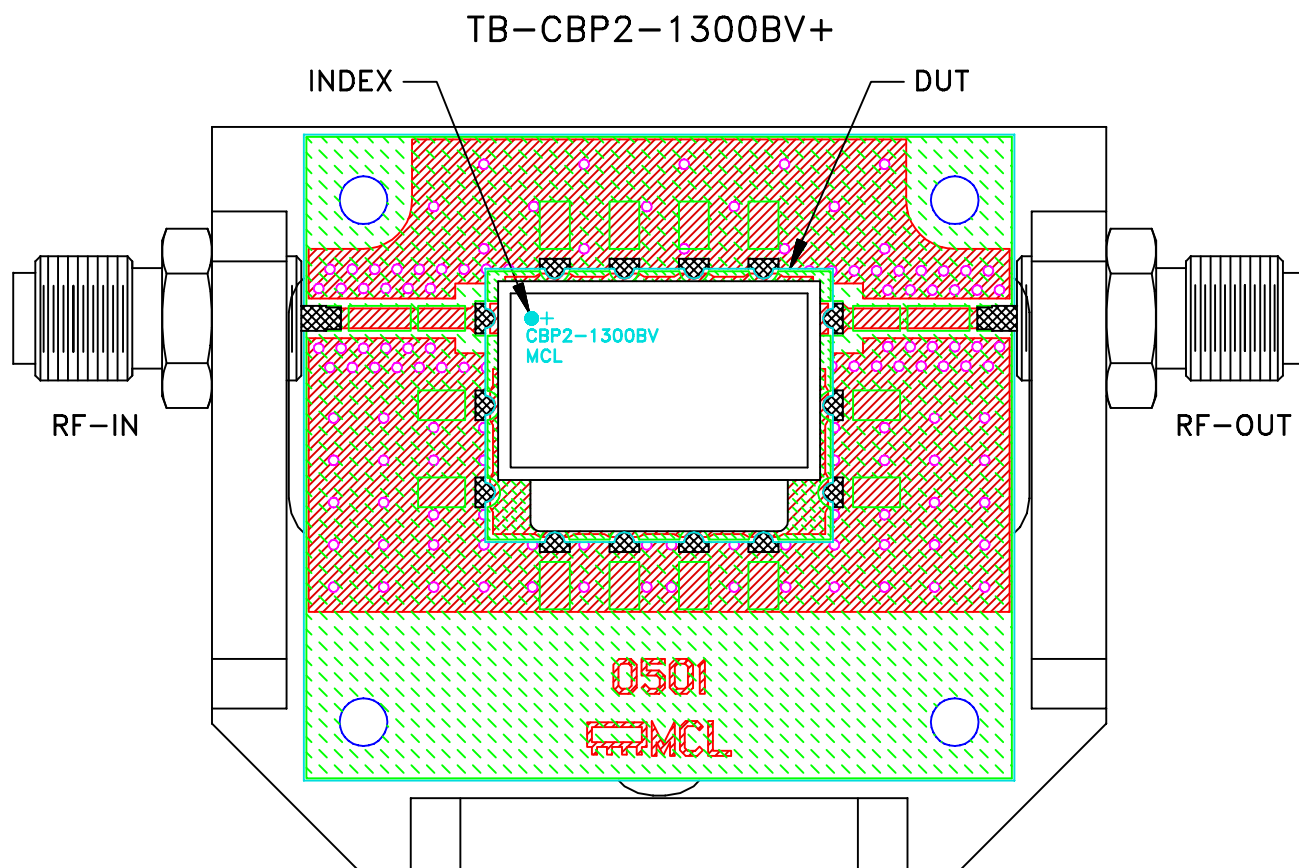


Evaluation Board and Circuit



Schematic diagram

Notes:

1. 50 Ohm SMA female connectors.
2. PCB Material: R04350B OR Equivalent
Dielectric Constant=3.48±.05, Thickness=.020 inch.

