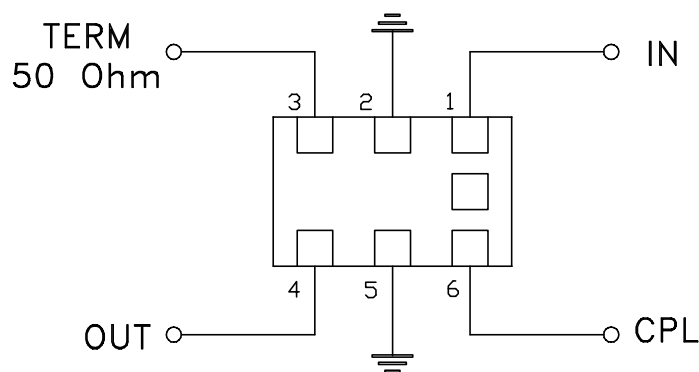
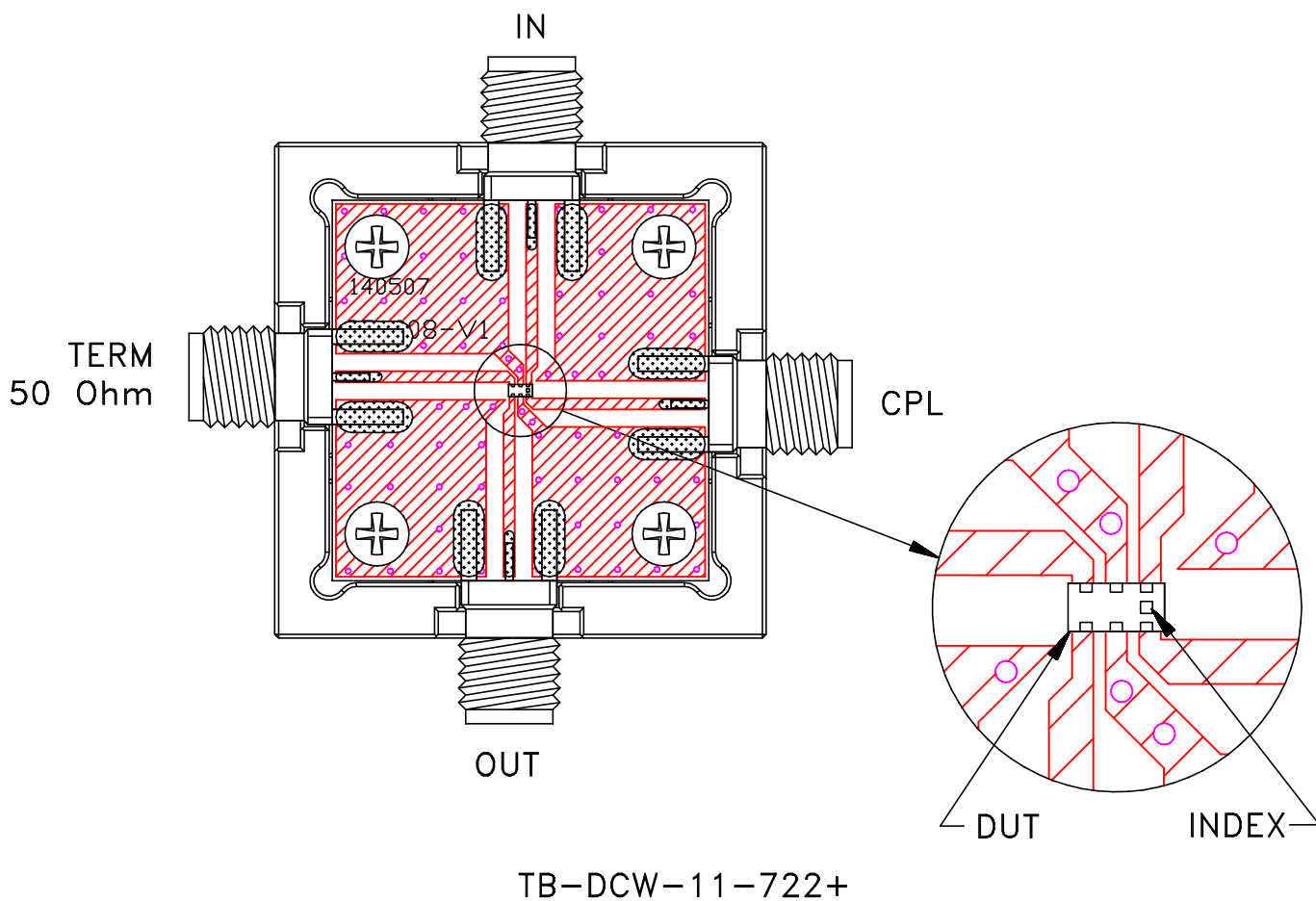



# Evaluation Board and Circuit



Schematic Diagram

**Notes:**

1. 50 Ohm SMA Female connectors.
2. PCB Material: FR4 or equivalent,  
Dielectric Constant=4.5, Thickness=.016 inch.

 **Mini-Circuits®**