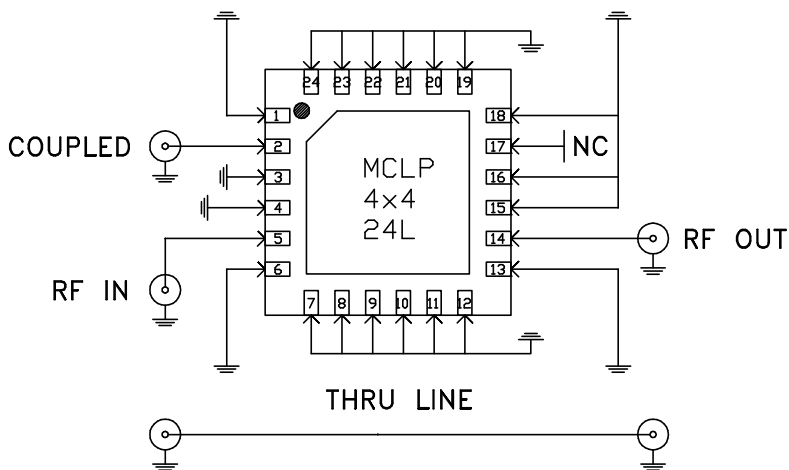
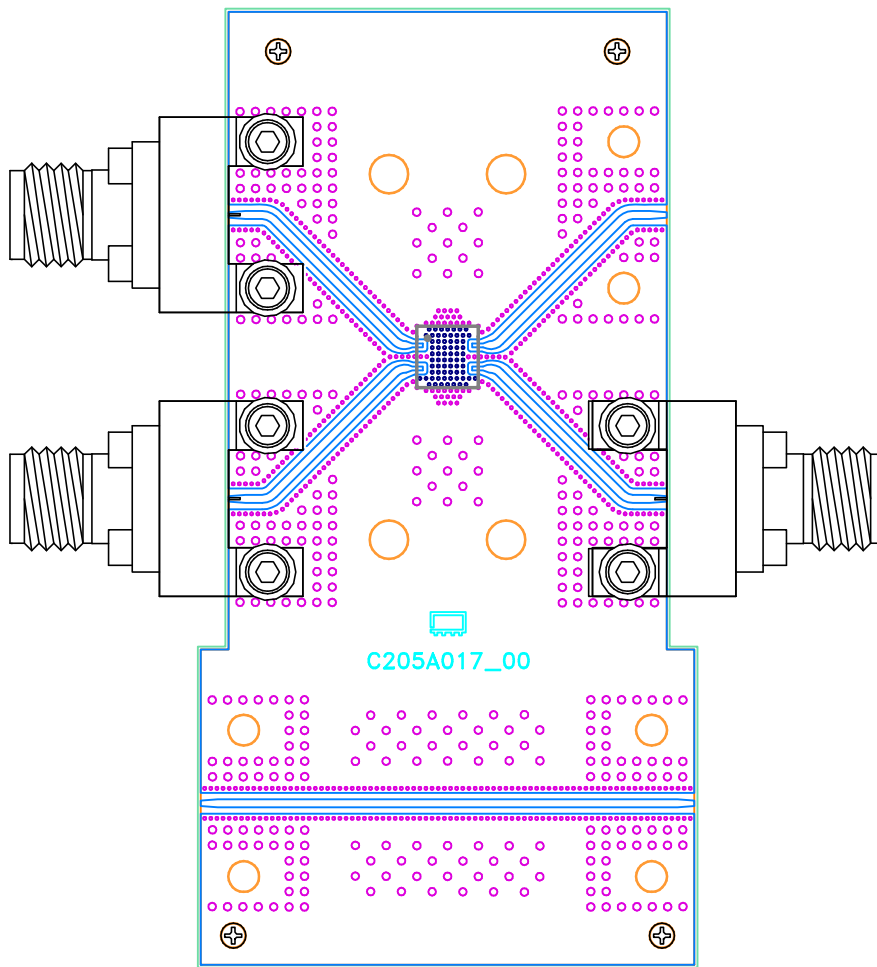


# Evaluation Board and Circuit




Schematic Diagram

Function	Pad
COUPLED	2
RF IN	5
RF OUT	14
GND	1,3,4,6,7,8,9,10,11, 12,13,15,16,18,19, 20,21,22,23,24
NC	17

## NOTES:

1. 2.92 mm Female Connectors.
2. PCB Material: Roger R04350B or equivalent, Dielectric constant=3.5, Thickness=0.010 inch

 **Mini-Circuits®**