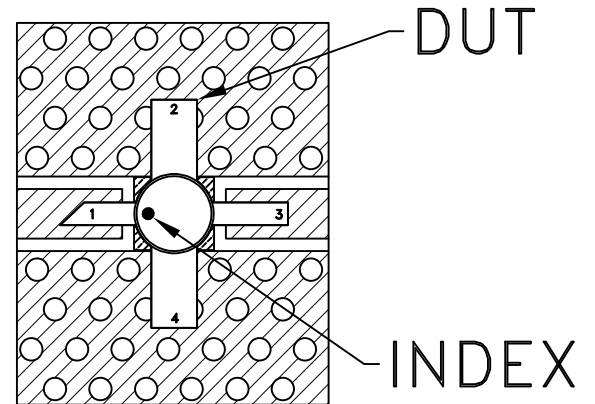
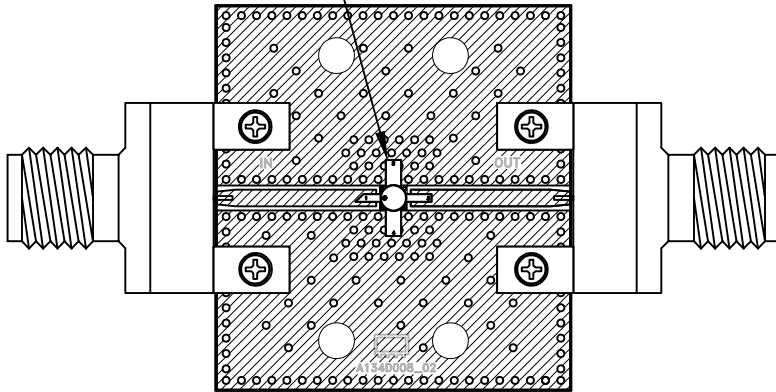
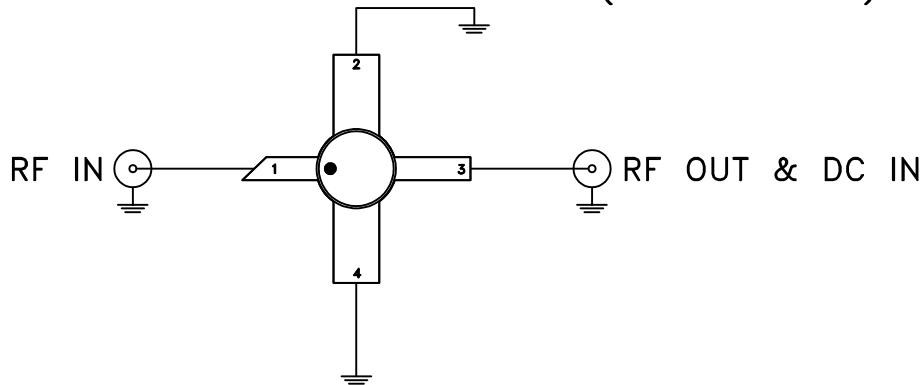


Evaluation Board and Circuit

SEE DETAIL "A"



DETAIL "A"
(SCALE 3:1)




SCHEMATIC DIAGRAM
(SCALE 3:1)

Function	Pad
RF IN	1
RF OUT & DC IN	3
GND	2,4

NOTES:

1. 2.92mm Female Connectors.
2. PCB Material: Roger R04350B or equivalent, Dielectric constant=3.5, Thickness=0.03 inch

 Mini-Circuits®