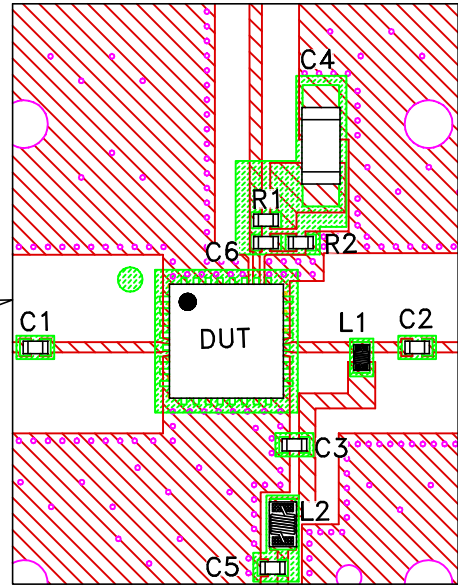
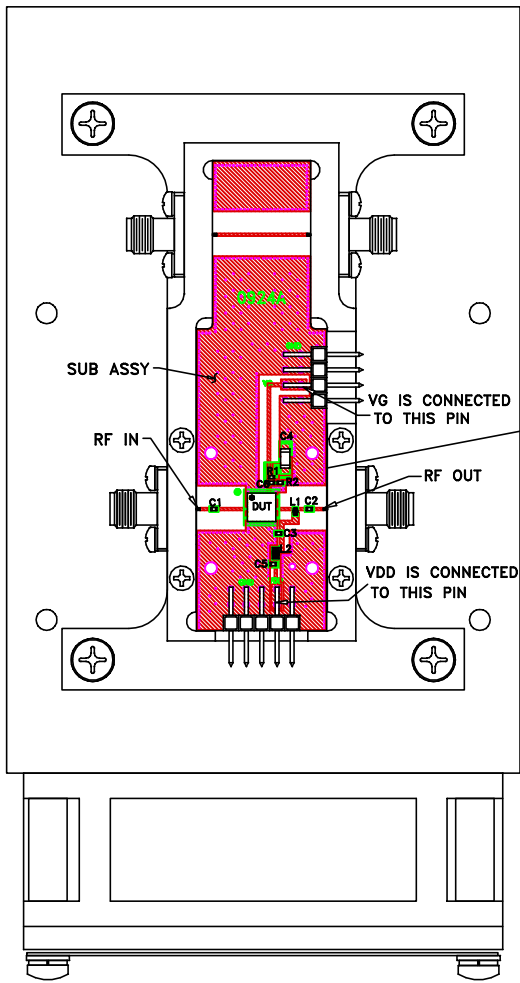
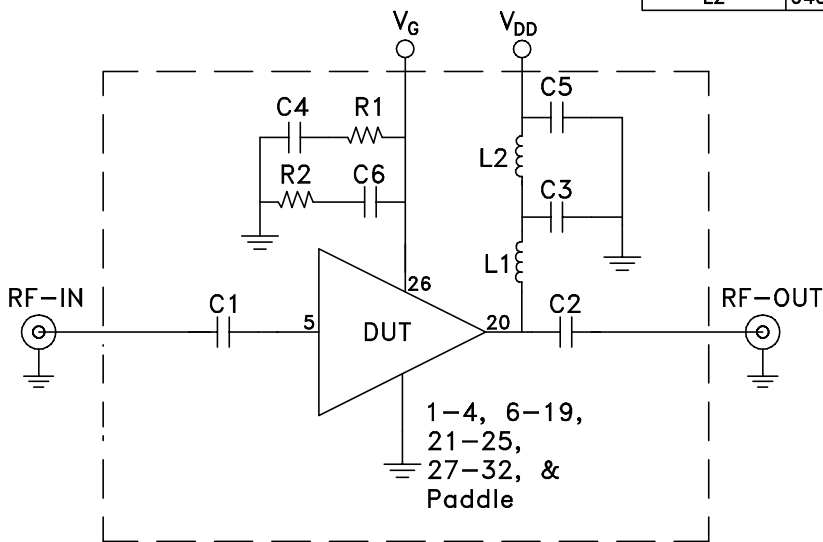


Evaluation Board and Circuit




| Component | Size | Value | PartNumber | Manufacturer |
|-----------|------|-------|--------------------|-----------------------|
| R1- R2 | 0402 | 0Ω | RK73Z1ETTP | KOA SPEER ELECTRONICS |
| C1-C3 | 0402 | 1nF | GRM1555C1H102GA01D | MURATA |
| C4 | 1206 | 1μF | 12061C105KAT2A | AVX CORPORATION |
| C5 | 0402 | 0.1μF | 04025C104JAT2A | AVX CORPORATION |
| C6 | 0402 | 100pF | GRM1555C2A101JA01D | MURATA |
| L1 | 0402 | 18nH | 0402HP-18NXGRW | COILCRAFT |
| L2 | 0402 | 47nH | 0603HC-47NXJRW | COILCRAFT |



SCHEMATIC

Notes:

- 2.92mm Female Connectors.
- PCB Material: Roger RO4003C or equivalent,
Dielectric constant=3.38, Thickness=0.0087±.001 inch

 **Mini-Circuits®**