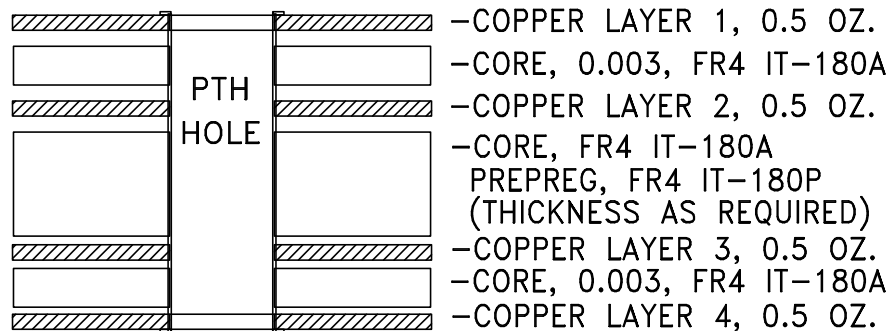
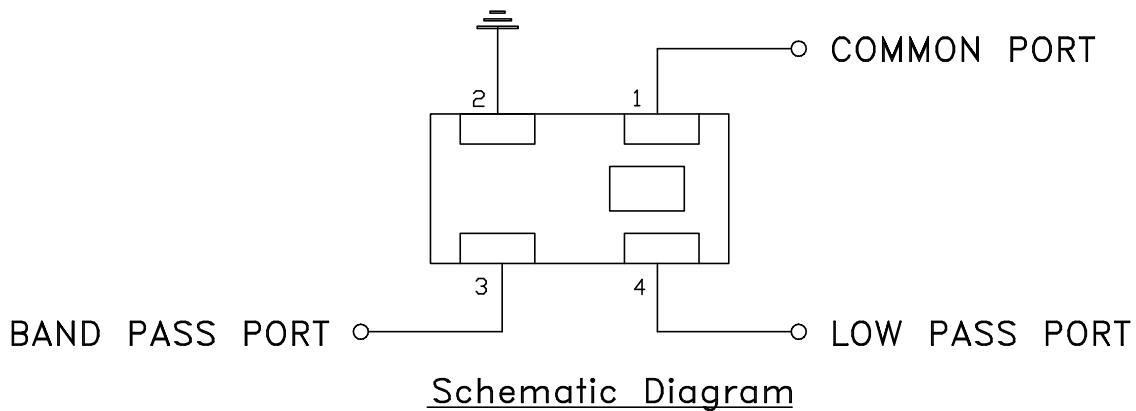
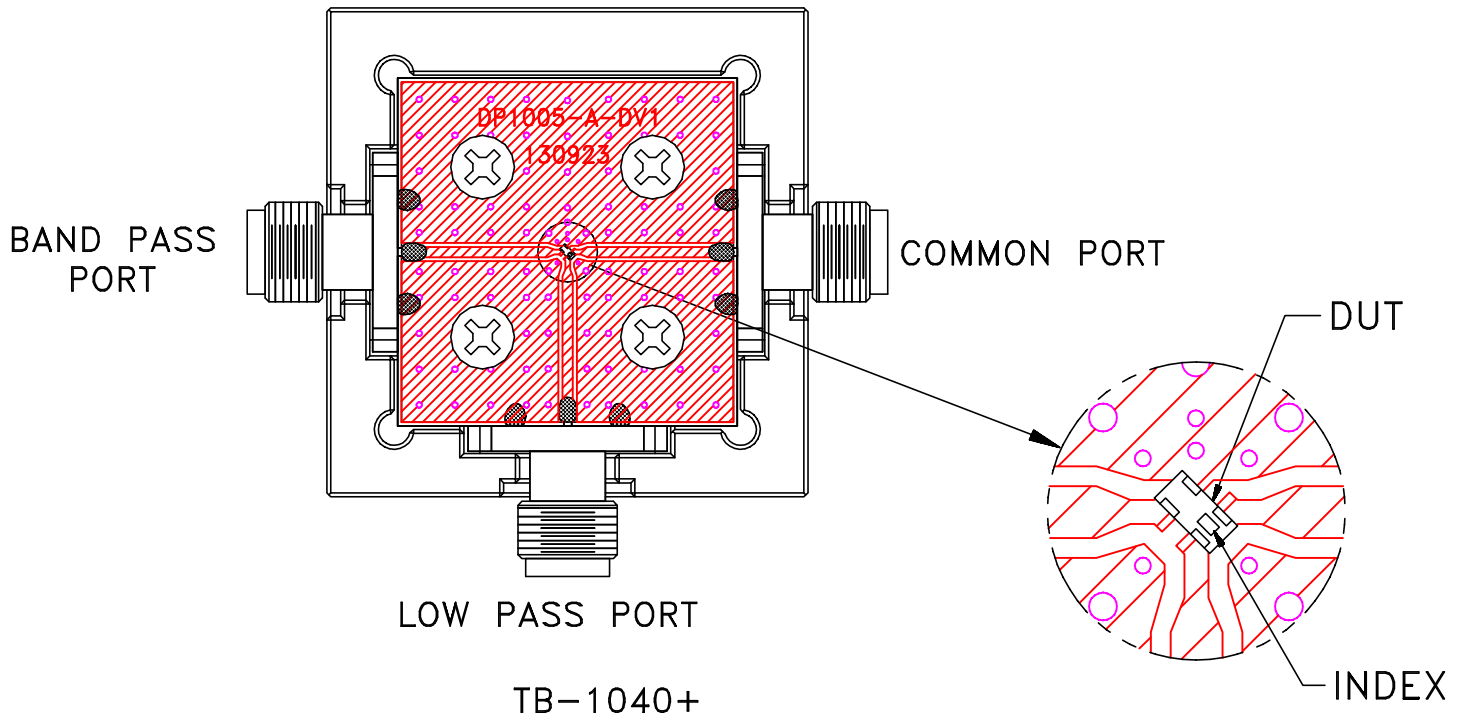



# Evaluation Board and Circuit



Stack-up Diagram

## Notes:

1. 50 Ohm SMA Female connectors.
2. PCB Material: FR4 or equivalent,  
Dielectric Constant=4.5,  
Total finished Thickness = .025 inch.

 **Mini-Circuits®**