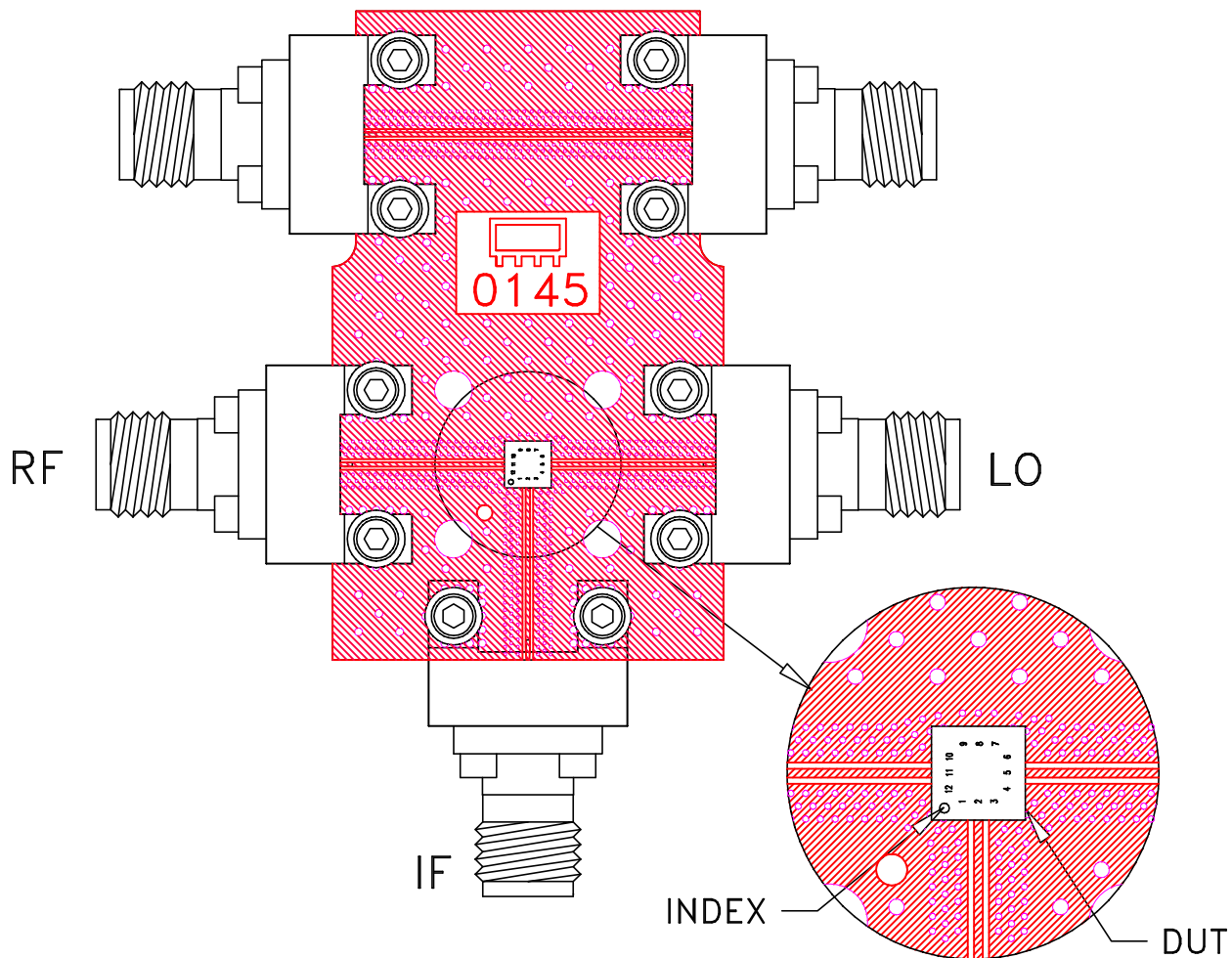
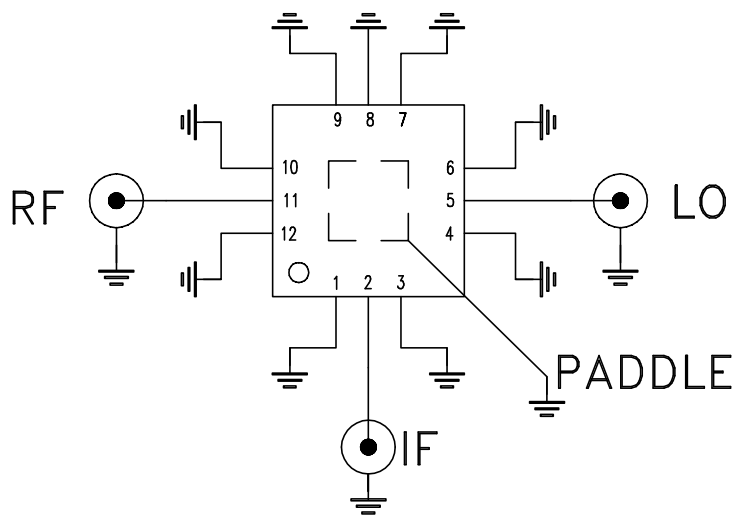


Evaluation Board and Circuit



TB-MDB-54H+



Schematic Diagram

Notes:

1. 2.4mm Female connectors.
2. PCB Material: R04350 or equivalent, Dielectric Constant=3.5, Thickness=.0066 inch.

