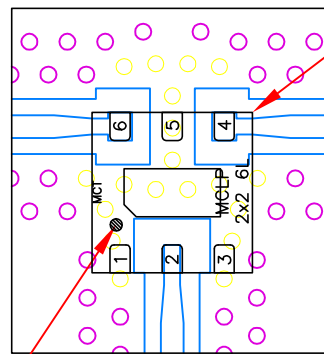
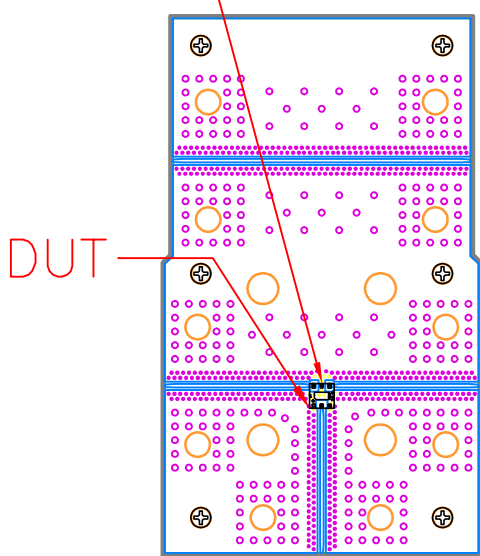
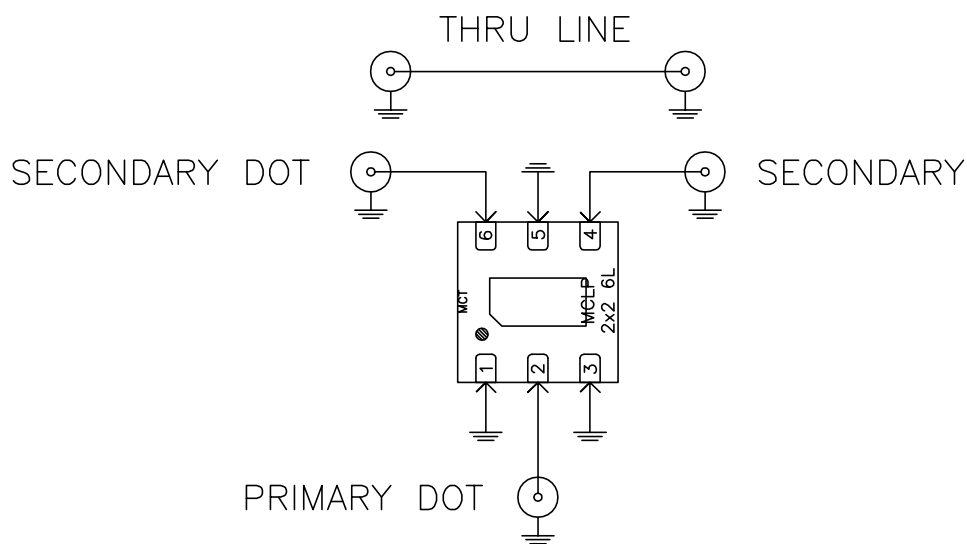


Evaluation Board and Circuit

SEE DETAIL "A"



INDEX DETAIL "A"
(SCALE 5:1)

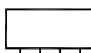


SCHEMATIC DIAGRAM

Function	Pad
SECONDARY DOT	6
SECONDARY	4
PRIMARY DOT	2
GND	1,3,5

Notes:

1. PCB Material: Roger R04350B or equivalent,
Dielectric constant=3.5, Thickness=0.0066 inch

 **Mini-Circuits®**