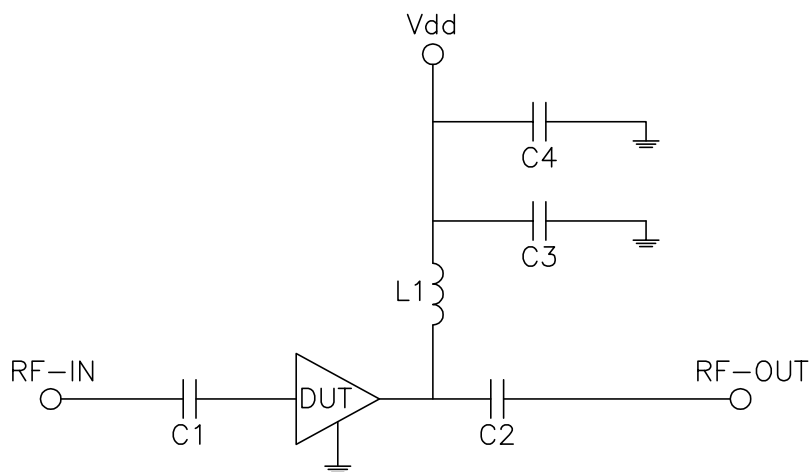
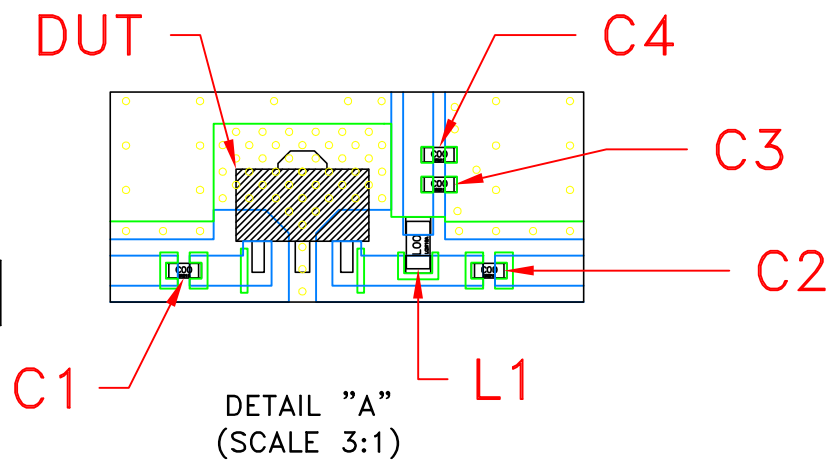
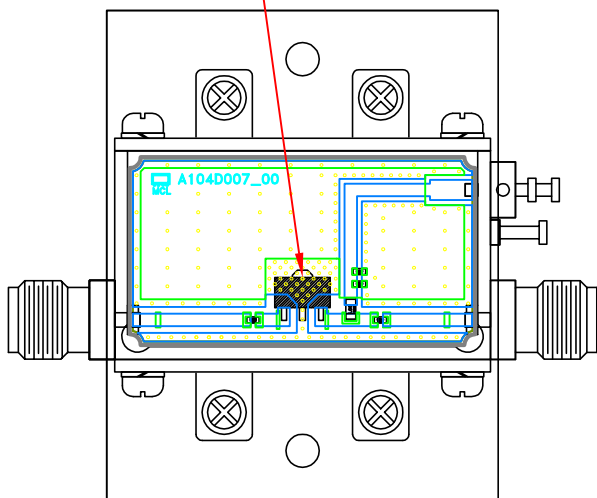


# Evaluation Board and Circuit

SEE DETAIL "A"

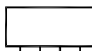


SCHEMATIC DIAGRAM

Component	Size	Value	Part Number	Manufacturer
C1	0402	1000pF	GRM1555C1H102JA01D	Murata
C2	0402	1000pF	GRM1555C1H102JA01D	Murata
C3	0402	100pF	GRM1555C1H101JA01D	Murata
C4	0402	10000pF	GRM155R71H103KA88D	Murata
L1	0603	390nH	LQW18CNR39J00D	Murata

## Notes:

1. 50 Ohm SMA Female Connectors.
2. PCB Material: Roger R04350B or equivalent,  
Dielectric constant=3.5, Thickness=0.020 inch

 **Mini-Circuits®**