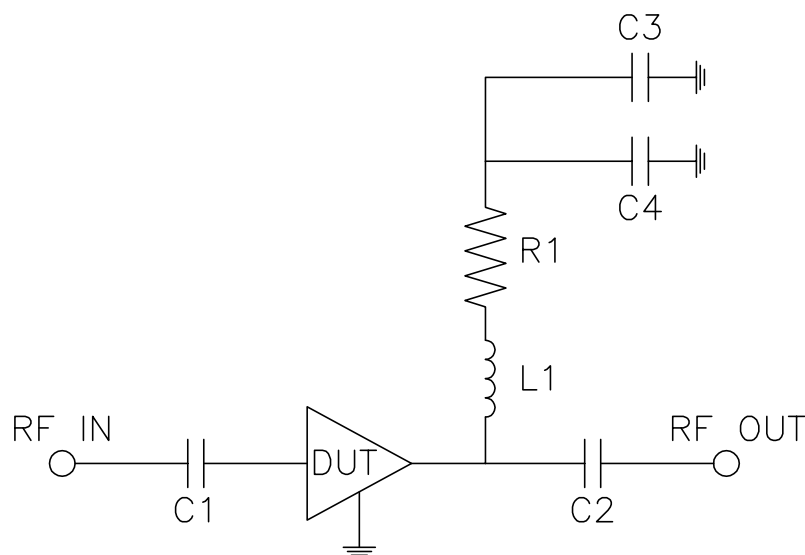
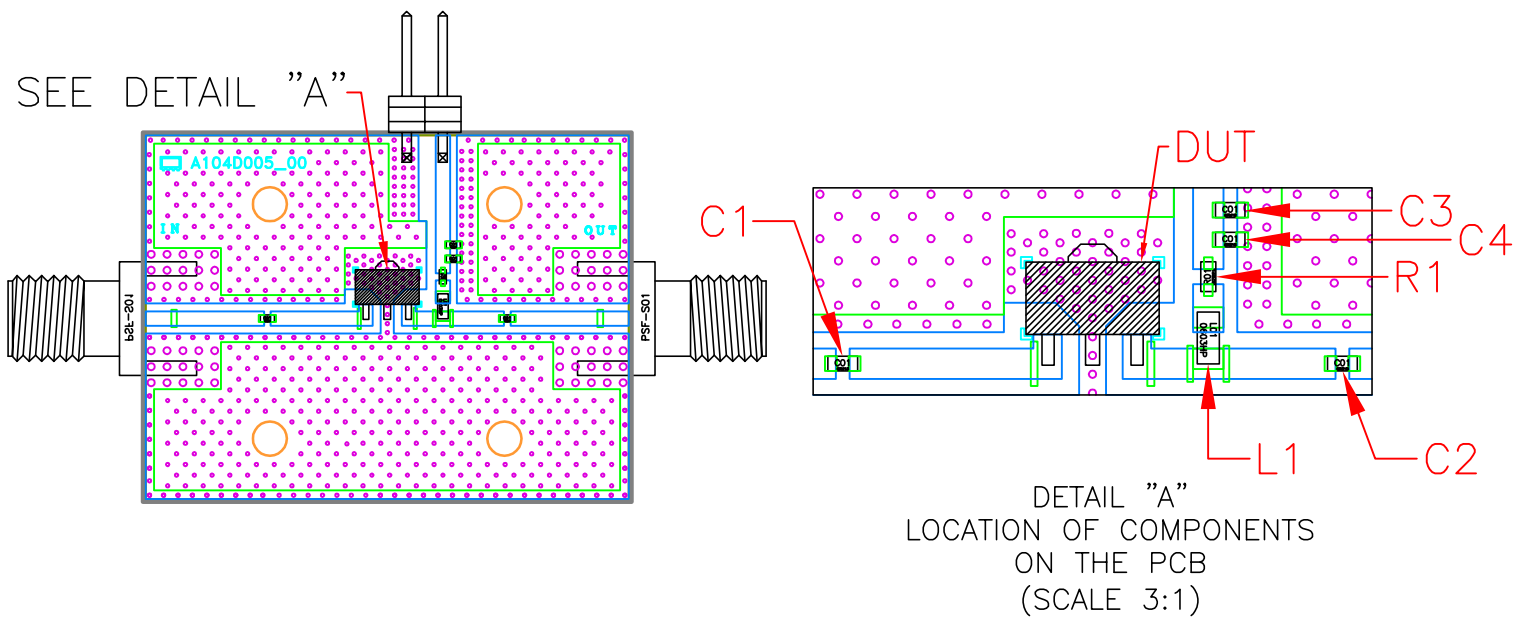


Evaluation Board and Circuit

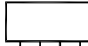


SCHEMATIC DIAGRAM

Component	Size	Value	Part Number	Manufacturer
C1	0402	1000pF	GRM1555C1H102JA01D	Murata
C2	0402	180pF	GRM1555C1H181JA01D	Murata
C3	0402	0.1uF	GRM155R71C104KA88D	Murata
C4	0402	10000pF	GRM155R71E103KA01D	Murata
L1	0603	330nH	LQW18CNR33J00D	Murata
R1	0402	20hm	RK73H1ETTP2R00F	Koa

Notes:

1. 50 Ohm SMA Female Connectors.
2. PCB Material: Roger R04350B or equivalent,
Dielectric constant=3.5, Thickness=0.020 inch

 **Mini-Circuits®**