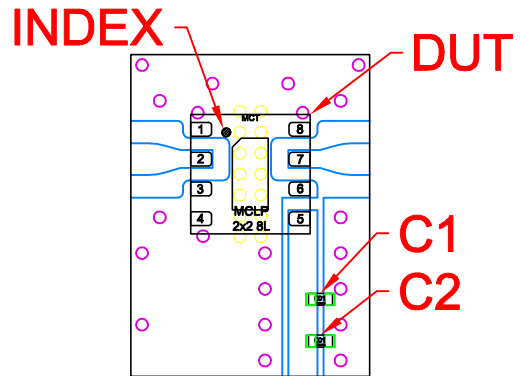
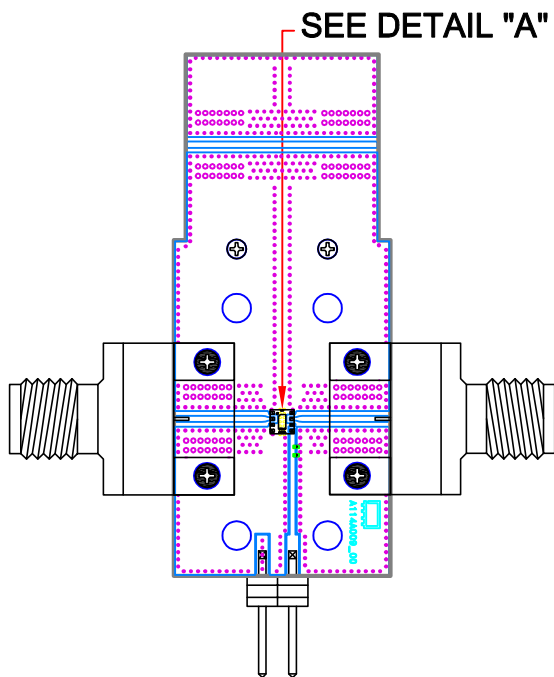
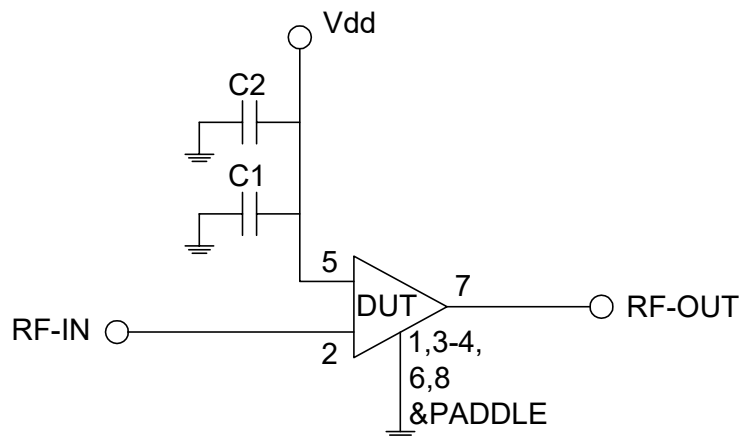


Evaluation Board and Circuit



DETAIL "A"
**LOCATION OF INTERCONNECTOR
 AND UNITS COMPONENTS**
 (SCALE 5:1)

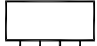


SCHEMATIC DIAGRAM

| Component | Size | Value | Part Number | Manufacturer |
|-----------|------|-------|--------------------|--------------|
| C1 | 0402 | 100pF | GRM1555C1H101JA01J | Murata |
| C2 | 0402 | 0.1uF | GRM155R71C104KA88D | Murata |

Notes:

- 2.92mm Female Connectors.
- PCB Material: Roger R04350B or equivalent,
Dielectric constant=3.5, Thickness=0.010 inch

 **Mini-Circuits®**