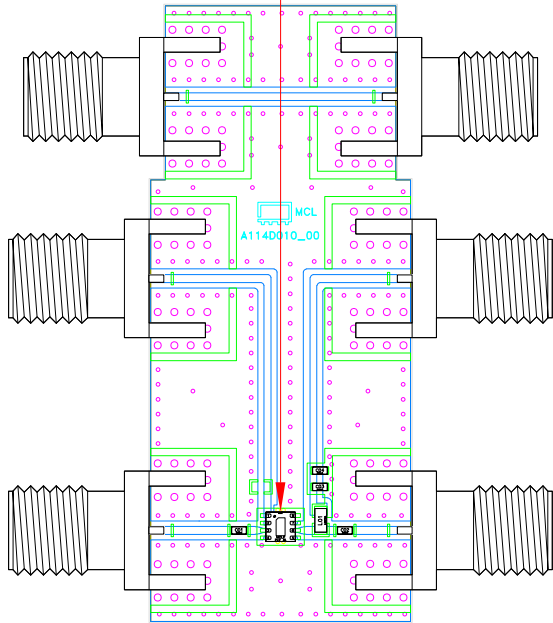
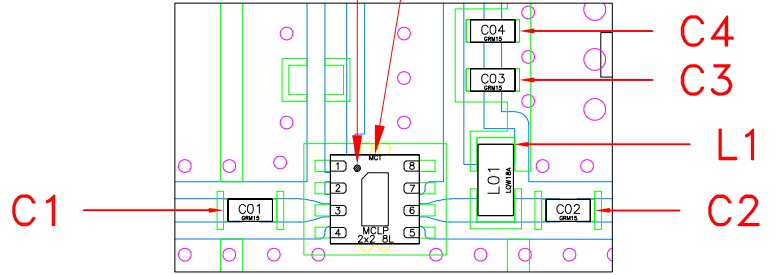


Evaluation Board and Circuit

SEE DETAIL "A"

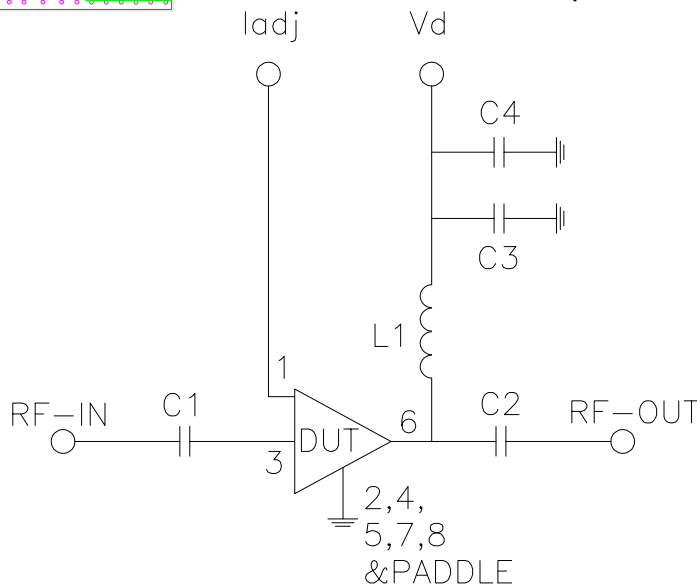


INDEX DUT



DETAIL "A"

LOCATION OF INTERCONNECTOR AND UNITS COMPONENTS (SCALE 3:1)



SCHEMATIC DIAGRAM

Components	Size	Value	Manufacturer	Part Numbers
C1,C2	0402	150pF	Murata	GRM1555C1H151JA01J
C3	0402	100pF	Murata	GRM1555C1H101JA01D
C4	0402	1uF	Murata	GRM155R61E105KA12D
L1	0402	56nH	Coilcraft	0402CS-56NXGLW

Notes:

1. 50 Ohm SMA Female Connectors.
2. PCB Material: Roger R04350B or equivalent, Dielectric constant=3.5, Thickness=0.010 inch

 Mini-Circuits®