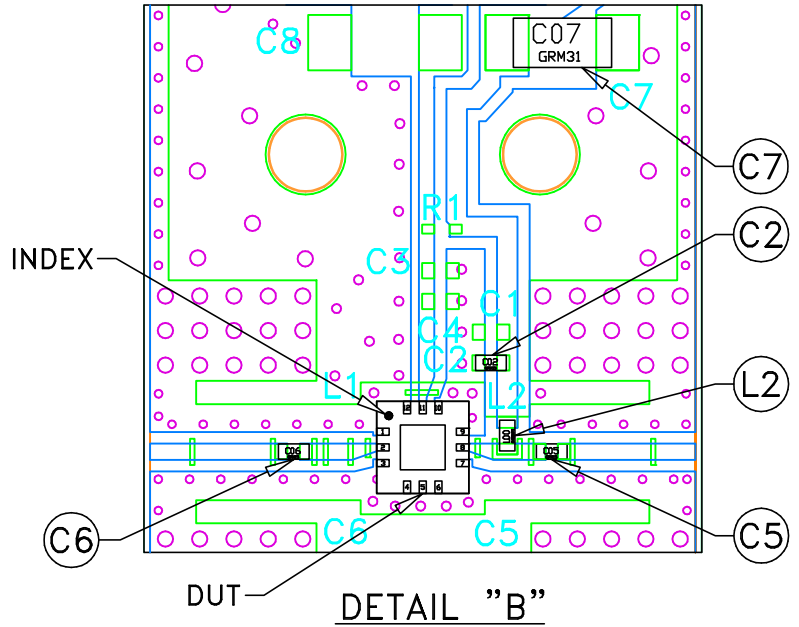
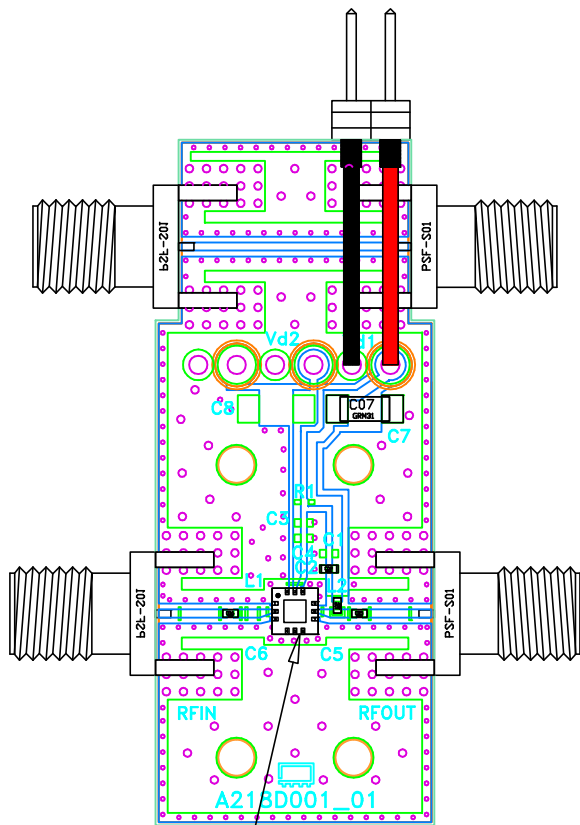
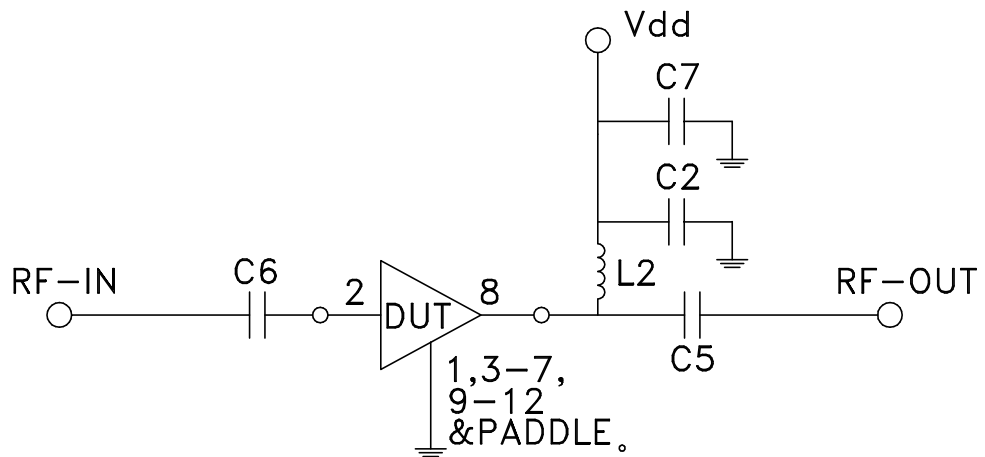


Evaluation Board and Circuit



SEE DETAL "B"



Schematic Diagram

Component	Size	Value	Part Number	Manufacturer
C2	0402	100pF	GRM1555C1H101JA01D	Murata
C5	0402	22pF	GRM1555C1H220JA01D	Murata
C6	0402	22pF	GRM1555C1H220JA01D	Murata
C7	1206	10uF	GRM31CR61H106KA12L	Murata
L2	0402	10nH	LQG15HS10NJ02D	Murata

NOTES:

1. SMA Female Connectors.
2. PCB Material: Roger R04350B or equivalent, Dielectric constant=3.5, Thickness=0.01 inch

