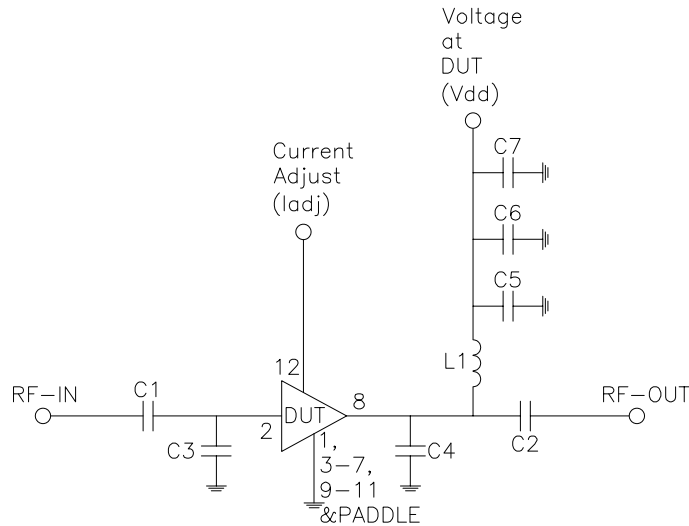
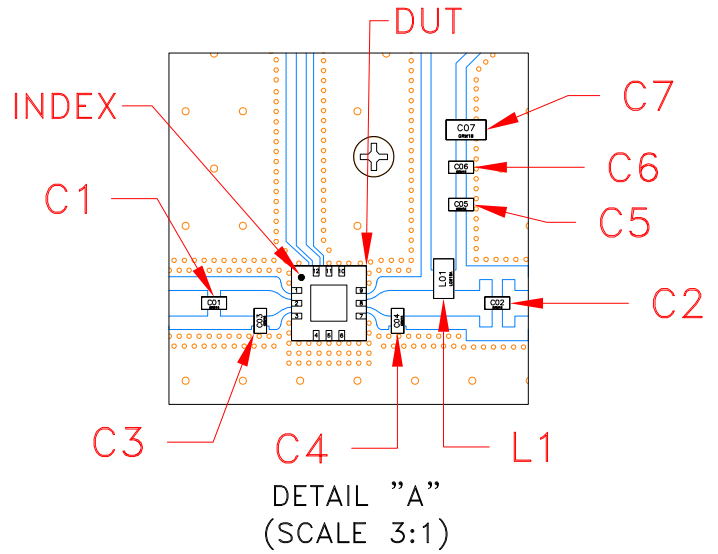
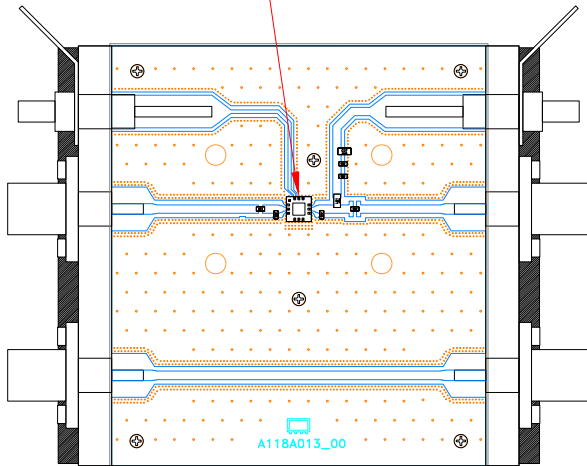


Evaluation Board and Circuit

SEE DETAIL "A"

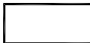


SCHEMATIC DIAGRAM

Component	Size	Value	Part Number	Manufacturer
C1	0402	100pF	GRM1555C1H101JA01D	Murata
C2	0402	100pF	GRM1555C1H101JA01D	Murata
C3	0402	0.3pF	GQM1555C2DR30WB01D	Murata
C4	0402	0.3pF	GQM1555C2DR30WB01D	Murata
C5	0402	10pF	GRM1555C1H100JA01D	Murata
C6	0402	1uF	GRM155C71A105KE11D	Murata
C7	0603	10uF	GRM188D71A106MA73J	Murata
L1	0603	33nH	0603CS-33NXJEU	Coilcraft

Notes:

1. RF Connectors.
2. PCB Material: Roger R04350B or equivalent,
Dielectric constant=3.5, Thickness=0.020 inch

 Mini-Circuits®