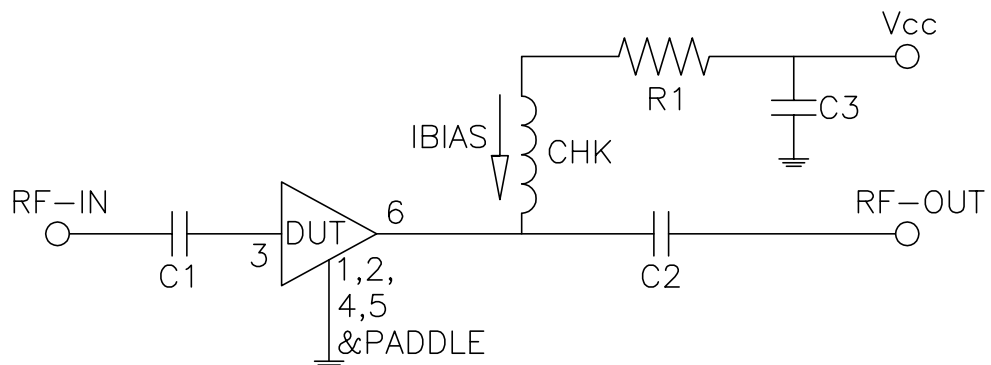
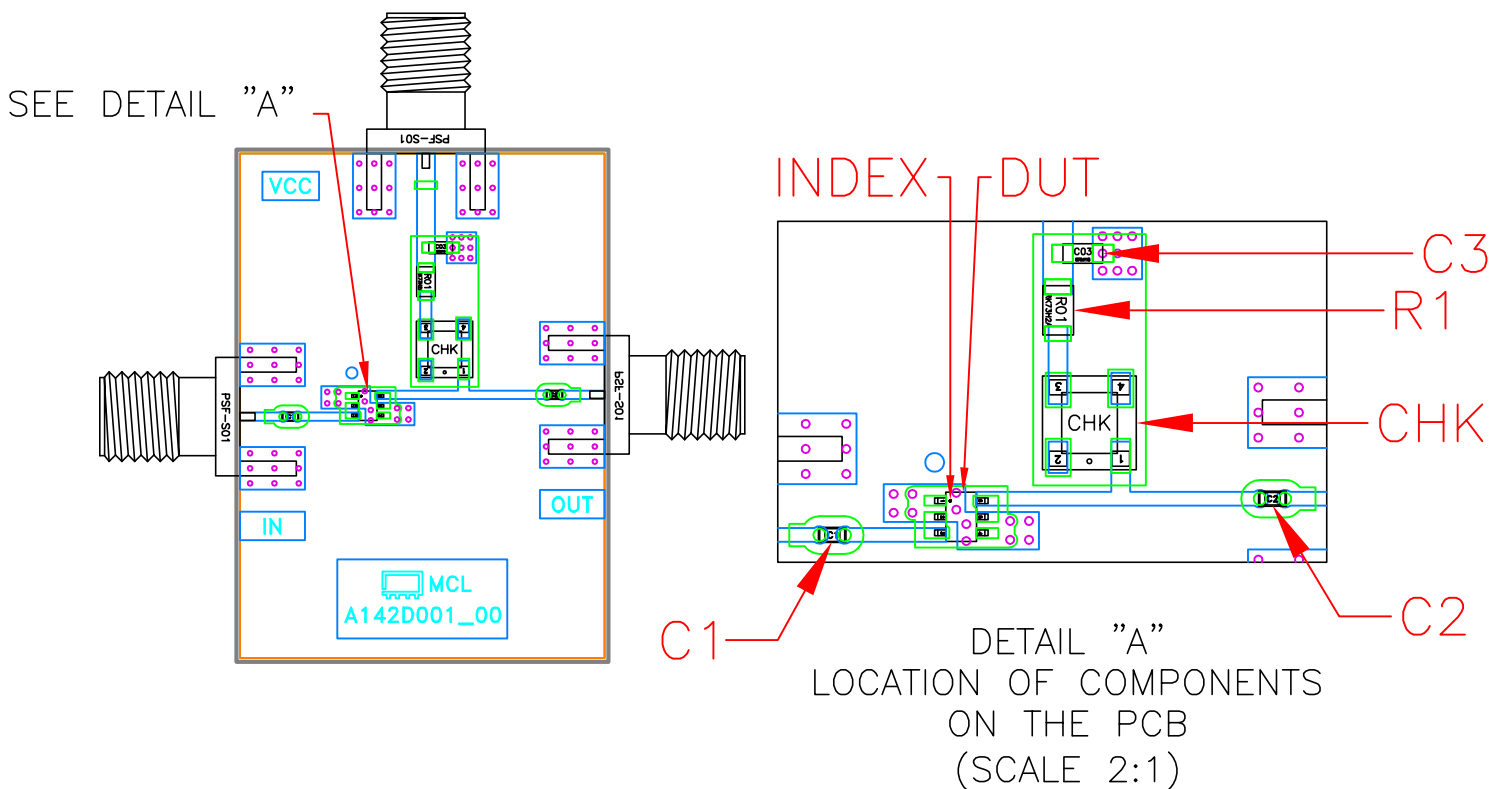


# Evaluation Board and Circuit

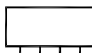


SCHEMATIC DIAGRAM

Component	Size	Description
C1,C2	0402	2400pF
C3	0603	0.1uF
R1	0805	43.2ohm
CHK		TCCH-80+

## Notes:

1. 50 Ohm SMA Female Connectors.
2. PCB Material: Roger R04350B or equivalent,  
Dielectric constant=3.5, Thickness=0.010 inch

 **Mini-Circuits®**