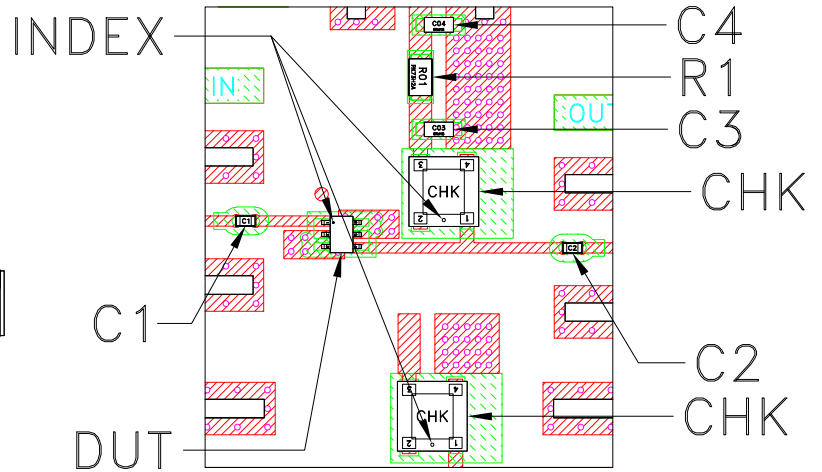
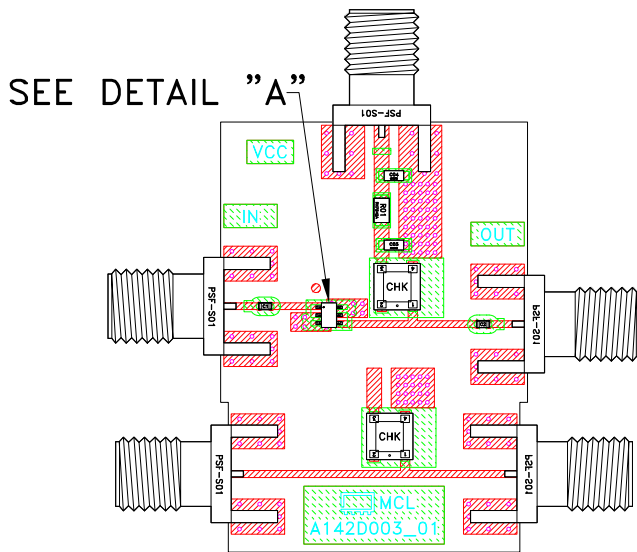
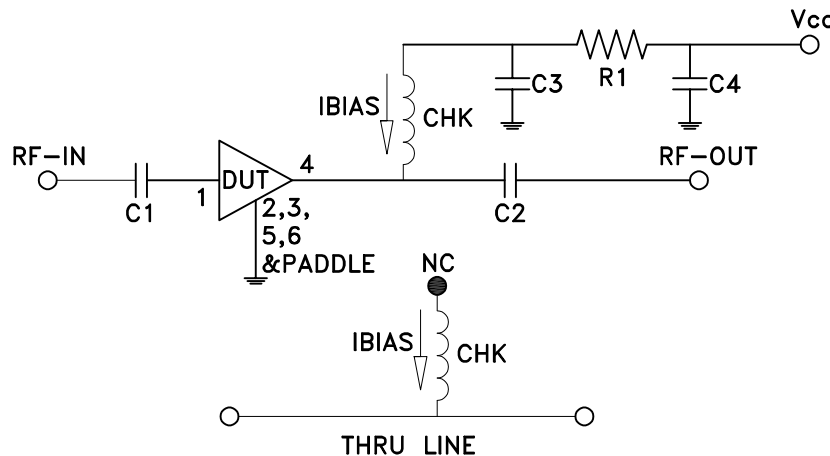


Evaluation Board and Circuit



DETAIL "A"
LOCATION OF COMPONENTS
ON THE PCB
(SCALE 1.5:1)



THRU LINE
SCHEMATIC DIAGRAM

Component	Size	Description
C1,C2	0402	2400pF
C3	0603	0.01uF
C4	0603	0.1uF
R1	0805	93.1ohm
CHK		TCCH-80+

Notes:

1. 50 Ohm SMA Female Connectors.
2. PCB Material: Roger R04350B or equivalent,
Dielectric constant=3.5, Thickness=0.010 inch

 Mini-Circuits®