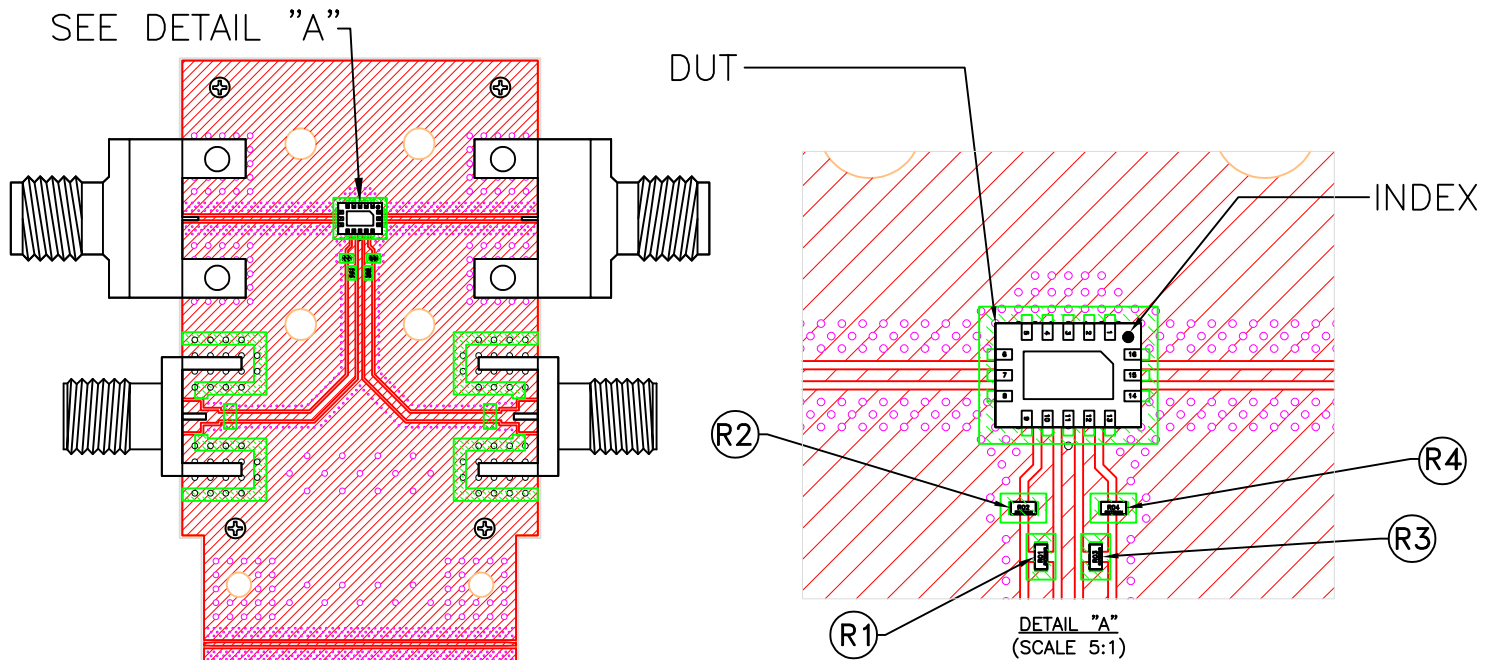
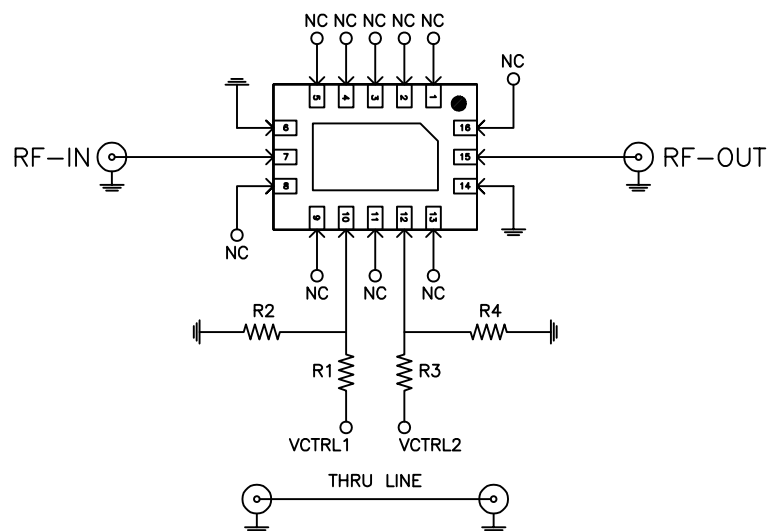


Evaluation Board and Circuit



Q136A001_01

Function	Pad
RF-IN	7
RF-OUT	15
GND	6,14
NC	1,2,3,4,5,8,9,11,13,16
VCTRL1	10
VCTRL2	12



SCHEMATIC DIAGRAM
(SCALE 5:1)

Components	Size	Value	Part Numbers	Manufacturer
R1,R3	0201	6.2k Ω	RK73H1HTTC6201F	KOA Speer
R2,R4	0201	1.8k Ω	RK73H1HTTC1801F	KOA Speer

NOTES:

- 2.4mm Female Connectors.
- PCB Material: Roger R04350B or equivalent,
Dielectric constant=3.5, Thickness=0.0066 inch

