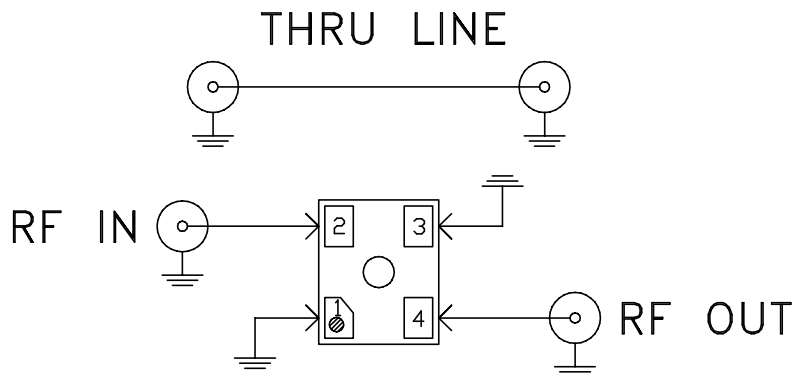
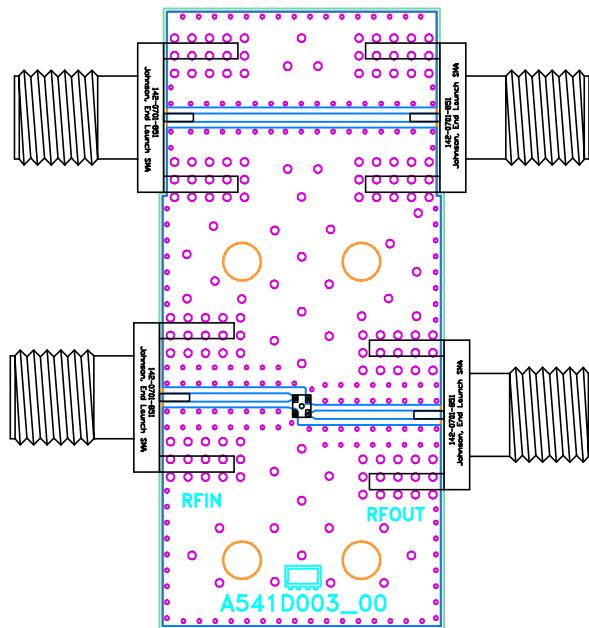


Evaluation Board and Circuit




Function	Pad
RF IN	2
RF OUT	4
GND	1,3

Schematic Diagram

NOTES:

1. 50 Ohm SMA Female Connectors.
2. PCB Material: Roger R04350B or equivalent, Dielectric constant=3.5, Thickness=0.010 inch

 **Mini-Circuits®**