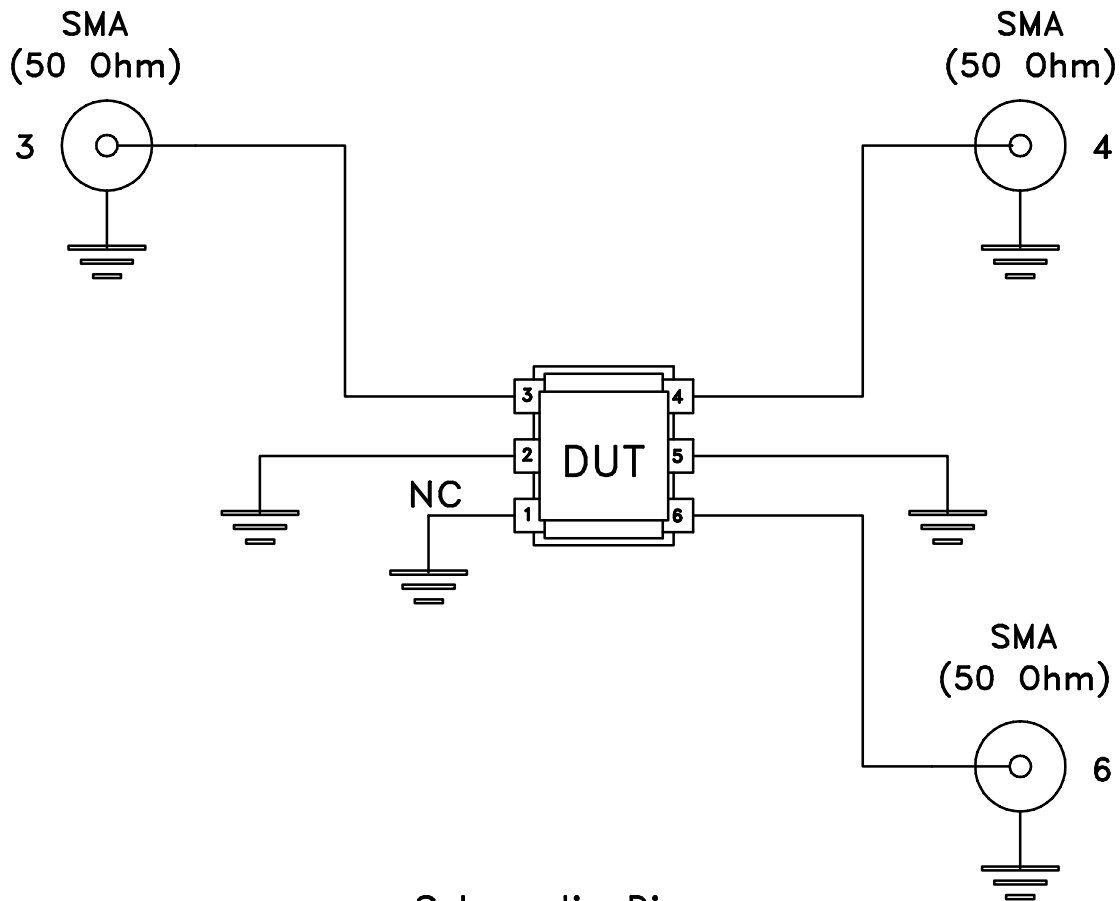
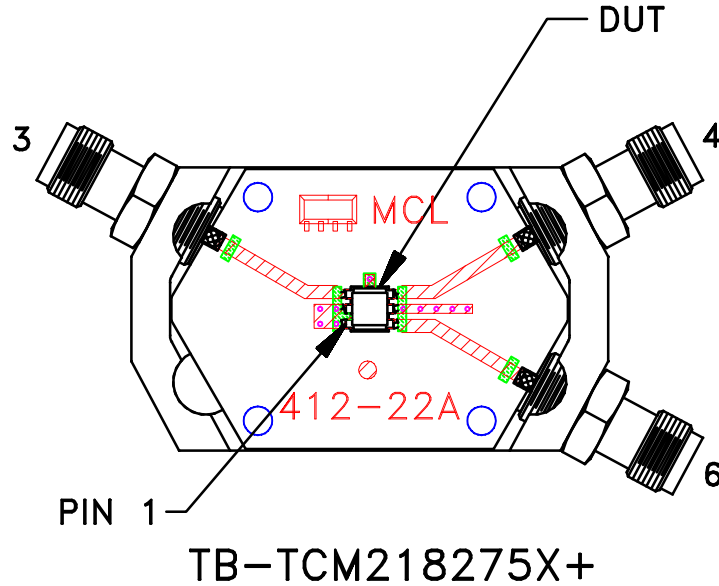


Evaluation Board and Circuit

For Pin Connections refer to Data Sheet of the DUT



Schematic Diagram

Note:

50 Ohm SMA Female connectors.

 Mini-Circuits®