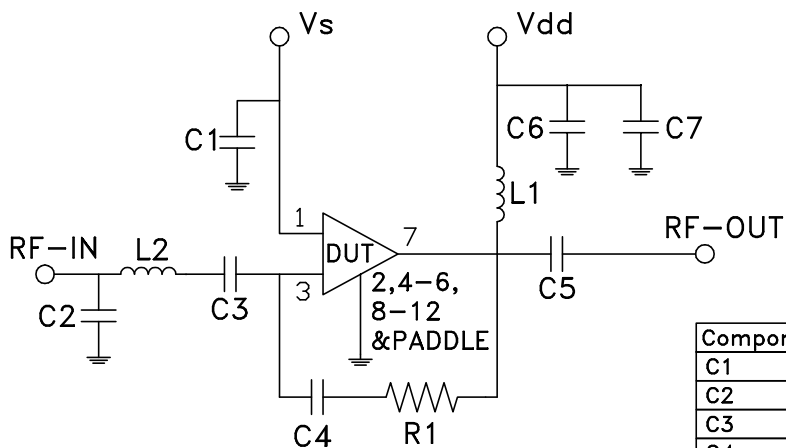
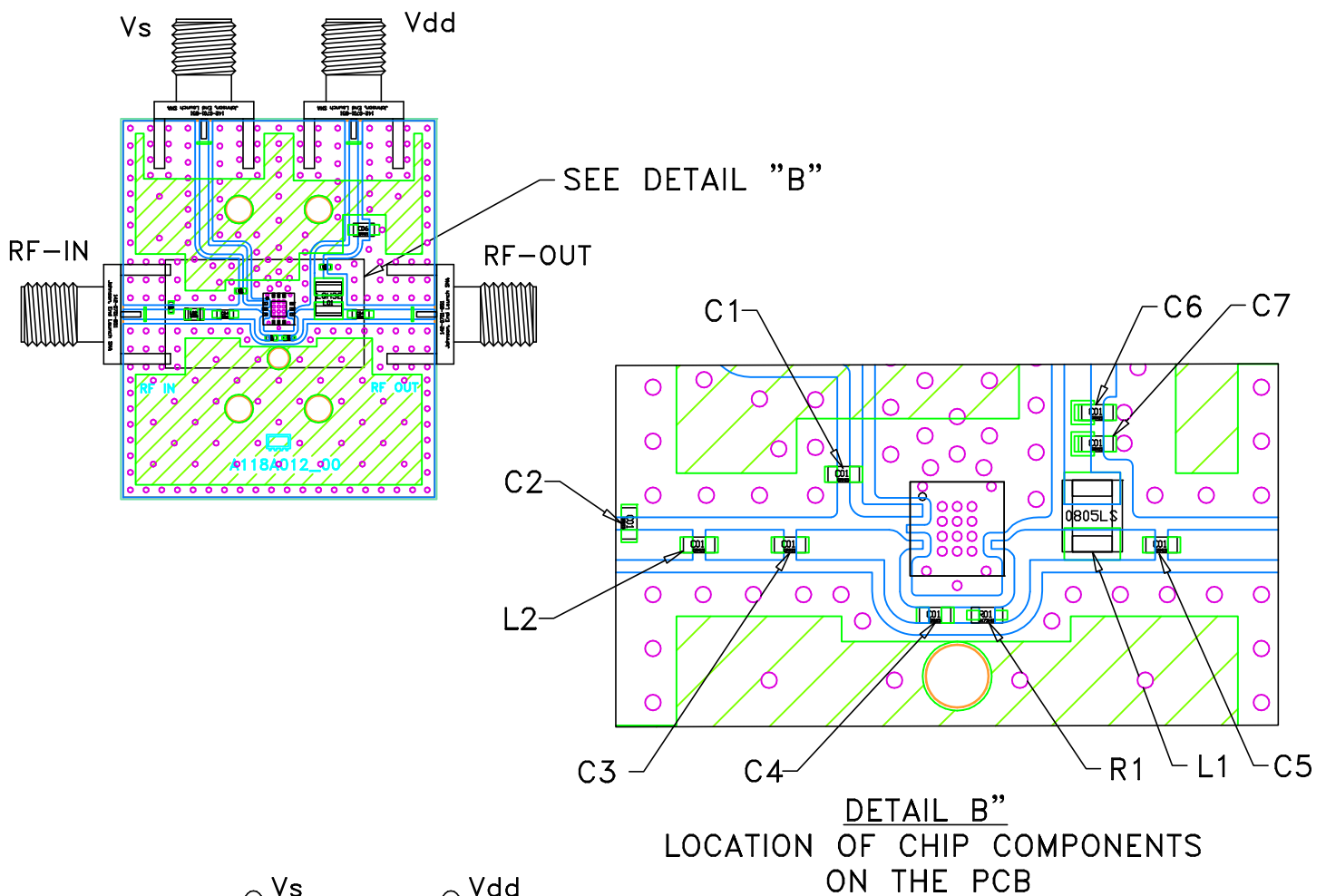


Evaluation Board and Circuit




Schematic Diagram

Component	Size	Value	Part Number	Manufacturer
C1	0402	0.1uF	GRM155R71C104KA88D	Murata
C2	0402	1.5pF	GRM1555C1H1R5CA1D	Murata
C3	0603	2.2uF	GRM188C71E225KE11D	Murata
C4	0402	0.1uF	GRM155R71C104KA88D	Murata
C5	0603	2.2uF	GRM188C71E225KE11D	Murata
C6	0402	1000pF	GRM1555C1H102JA01D	Murata
C7	0805	10uF	GRM21BC71E106KE11L	Murata
L1	1210	15uH	LQH32DN150K53L	Murata
L2	0603	5.1nH	O603CS-5N1XJLU	Coilcraft
R1	0402	1.5KOhm	RK73H1ETTP1501F	Koa

NOTES:

1. 50 Ohm SMA Female Connectors.
2. PCB Material: Roger R04350B or equivalent, Dielectric constant=3.5, Thickness=0.02 inch

 **Mini-Circuits®**