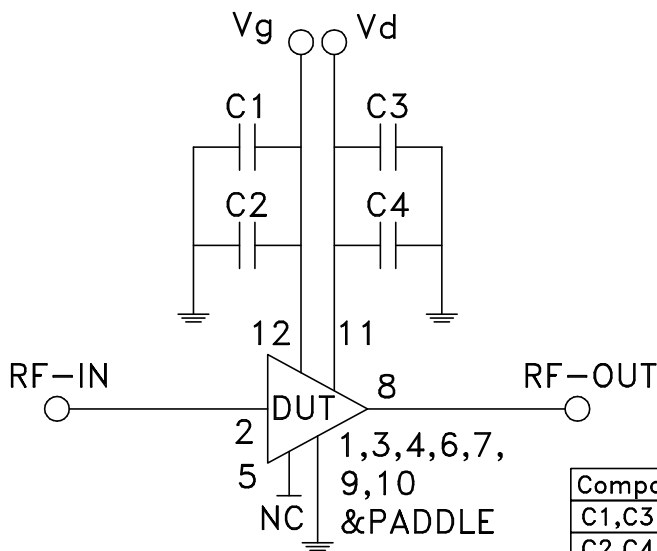
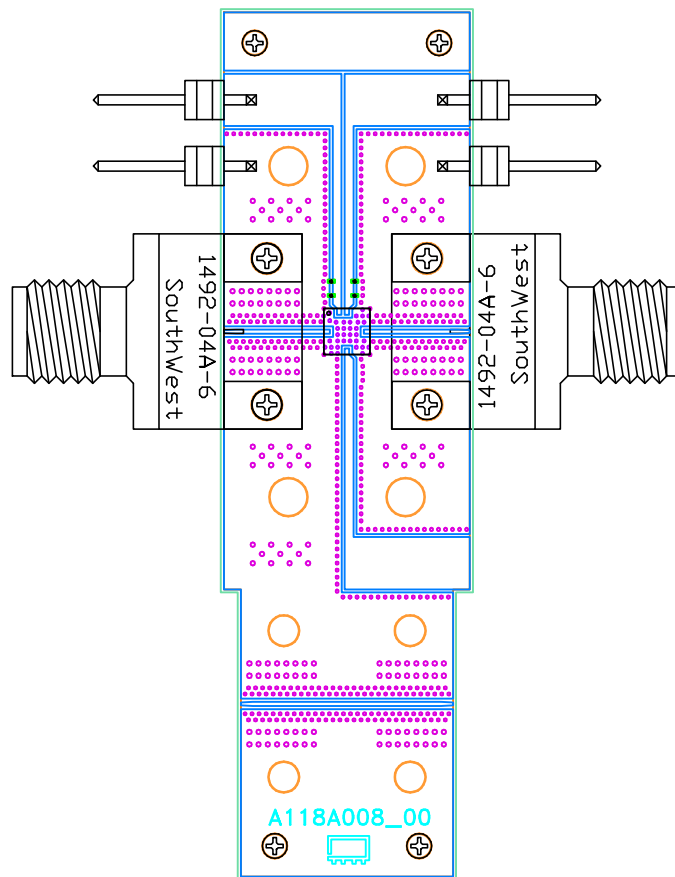


# Evaluation Board and Circuit



Function	Pad
RF IN	2
RF OUT	8
Vd	11
Vg	12
GND	1,3,4,6,7,9,10
NC	5

Component	Size	Value	Part Number	Manufacturer
C1,C3	0402	0.1uF	GRM155R71C104KA88D	Murata
C2,C4	0402	100pF	GRM1555C1H101JA01J	Murata

Schematic Diagram

## NOTES:

- 2.4 mm Female Connectors.
- PCB Material: Roger R04350B or equivalent,  
Dielectric constant=3.5, Thickness=0.0066 inch

