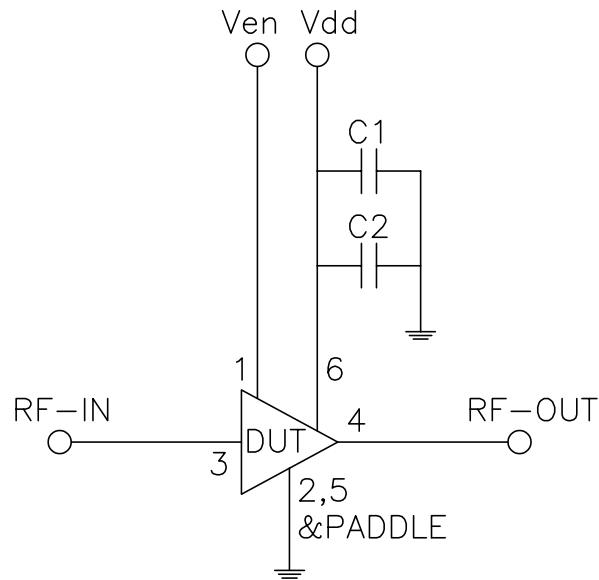
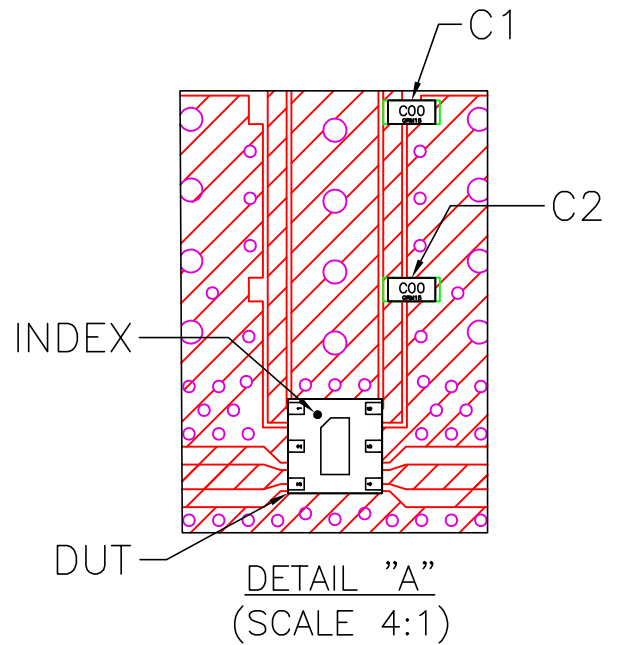
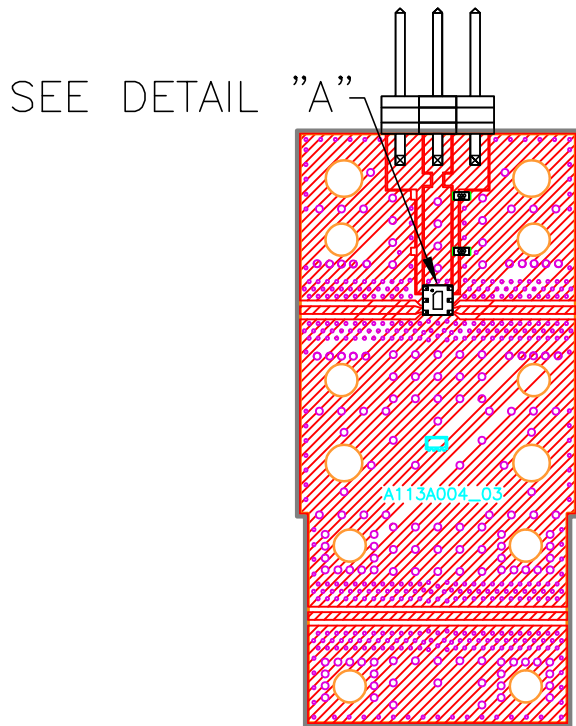


# Evaluation Board and Circuit



SCHEMATIC DIAGRAM

Component	Size	Value	Part Number	Manufacturer
C1	0402	0.1uF	GRM155R71C104KA88D	Murata
C2	0402	100pF	GRM155C1H101JA01D	Murata

## NOTES:

1. PCB Material: Roger R04350B or equivalent,  
Dielectric constant=3.5, Thickness=0.010 inch

