



**PRODUCT CHANGE NOTICE**  
PCN Form (D4-E000-73)

**PCN #09-002**

**NOTIFICATION DATE: March 11, 2009**

**MODELS AFFECTED:**

LZY-1X+ & LZY-1+  
Case Style: BT1312

**EXTENT OF CHANGE:**

Mechanical dimension of amplifier enclosure

**EFFECT OF CHANGE:**

LZY-1X+ Non-Heat Sink Version	Mounting Hole Length from 5.025" to 5.605"
LZY-1+ Heat Sink Version	Dimension R from 5.30" to 5.88"

**REASON FOR CHANGE:**

Enclosure redesign for manufacturability.

**EFFECTIVE DATE OF CHANGE:**

Immediate

**DELIVERY:**

Both versions may be shipped during transition period

**ATTACHMENTS:**

Case Style: BT1312

**QUESTIONS?**

**PLEASE CONTACT US.**

ISO 9001 CERTIFIED

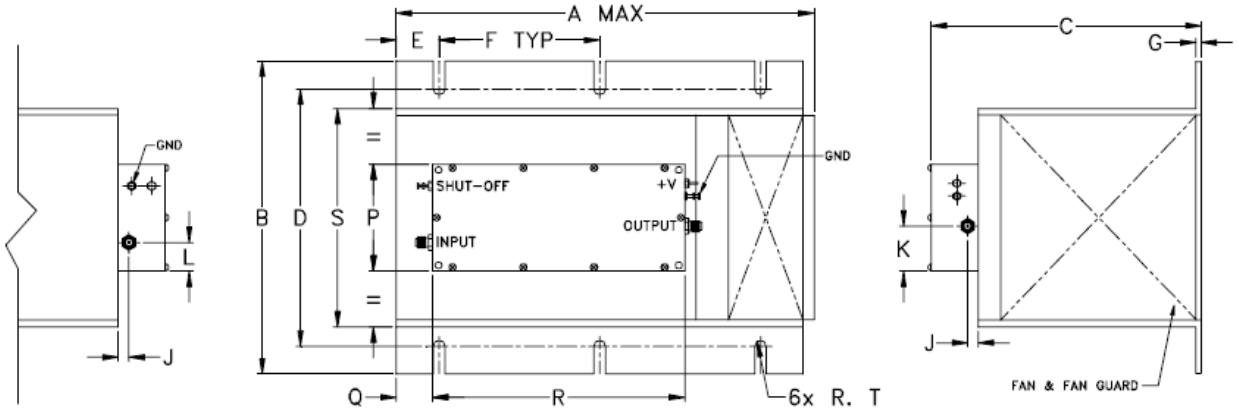
# PRODUCT CHANGE NOTICE

PCN Form (D4-E000-73)

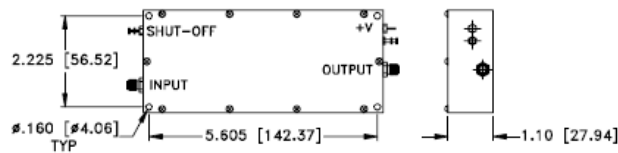
Attachment to [PCN#09-002](#)

**BT1312**

## Outline Dimensions



### MOUNTING INFORMATION FOR MODELS WITHOUT HEATSINK.



CASE#	A	B	C	D	E	F	G	H	J	K	L	M	N
BT1312	9.85 (250.19)	7.3 (185.42)	6.3 (160.02)	6.00 (152.40)	1.00 (25.40)	3.75 (95.25)	.13 (3.30)	-	.25 (6.35)	1.05 (26.67)	.67 (17.02)	-	-

CASE#	P	Q	R	S	T	WT, GRAM	WT WITHOUT HEATSINK, GRAM
BT1312	2.49 (63.25)	.9 (22.86)	5.88 (149.35)	5.1 (129.54)	.135 (3.43)	4055	360

Dimensions are in inches (mm). Tolerances: 1 Pl.  $\pm .1$ ; 2 Pl.  $\pm .03$ ; 3 Pl.  $\pm .015$

**Notes:**

1. Case material: Aluminum alloy.
2. Finish:  
For RoHS Case Styles: Clear Chemical conversion coating, non-chrome or trivalent chrome based.
3. Heatsink finish: Black anodize.