

PRODUCT CHANGE NOTICE

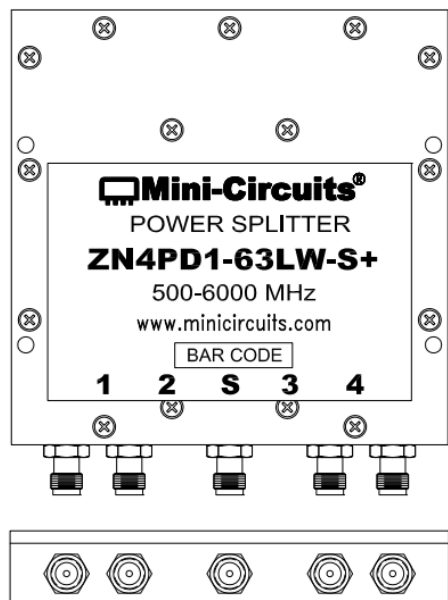
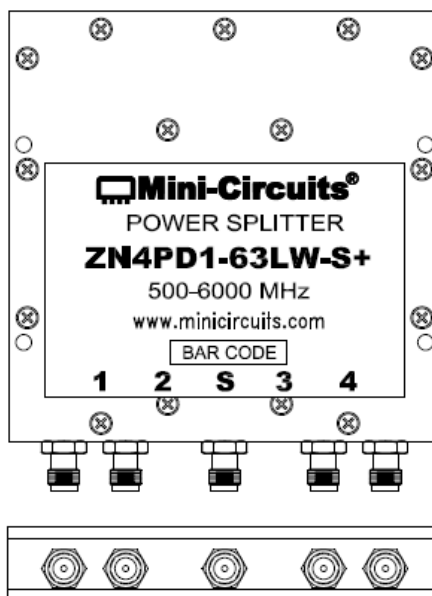
PCN Form (D4-E000-73)

PCN#23-043

NOTIFICATION DATE: July 26, 2023

MODELS AFFECTED**ZN4PD1-63LW-S+****EXTENT OF CHANGE:**

Modification of mechanical assembly by adding bottom cover and screws to case

FROM:**TO:****EFFECT OF CHANGE:**

No change to FIT (Dimension) or FUNCTION (Performance)

Change to FORM (Appearance)

REASON FOR CHANGE:

Improved assembly and spec achievement

EFFECTIVE DATE OF CHANGE:

Immediate, either version may be shipped based on stock availability

ATTACHMENTS:

QUESTIONS?

[PLEASE CONTACT US.](#)