

PRODUCT CHANGE NOTICE

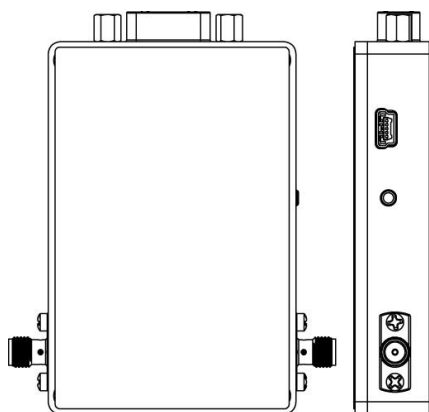
PCN Form (D4-E000-73)

PCN#23-081**NOTIFICATION DATE: November 30, 2023****MODEL(S) AFFECTED:****RUDAT-13G-60****EXTENT OF CHANGE:**

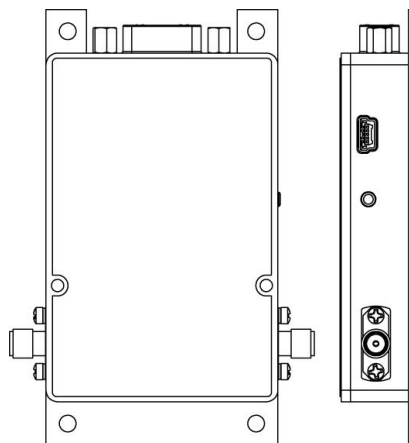
Improve production process and provide units with bracket already assembled.

EFFECT OF CHANGE:

- Change in FUNCTION (Performance): Bracket assembled at factory, no need for customer to assemble bracket manually.
- Change in FIT (Appearance) : Added cutout to bracket below D-Sub connector to make connecting unit easier.
- Change FORM (Dimension) as follows:
 - Option without bracket canceled.
 - Height with bracket changed from 0.7" to 0.68"
- Case style drawings:



Old – QF2252



New – QF3370

REASON FOR CHANGE:

- Improve production process.
- Provide customers units with bracket already assembled, eliminating the need for manual operation by customers.

EFFECTIVE DATE OF CHANGE:

Immediate upon stock depletion.

QUESTIONS?**[PLEASE CONTACT US.](#)**