

Coaxial Termination Quick-Turn

ANNEQ-50K+

50Ω DC to 40 GHz

The Big Deal

- Ultra-wideband, DC to 40 GHz
- Excellent return loss, 25 dB typ. up to 40 GHz
- Quick-Turn, 1 turn
- Mates with SMA, K, and 3.5mm connector types



CASE STYLE: LL2699-2

Product Overview

Mini-Circuits' ANNEQ-50K+ is an ultra-wideband 50Ω quick turn termination that enables quick connect and disconnect in test system which saves time. It provides excellent return loss across its entire operating frequency range, effectively dissipating signal power with minimal reflections.

Key Features

Feature	Advantages
Quick Turn: 1 turn	Ideal for test application Quick connect/disconnect reduces test time and cost.
Ultra-wideband, DC to 40 GHz	Extremely wide frequency range provides application flexibility and makes this model ideal for broadband and multi-band use.
Good return loss: <ul style="list-style-type: none">• 27 dB typ up to 18 GHz• 27 dB typ up to 40 GHz	Good return loss minimizes signal reflections across multiple-decade frequency range.
Power handling up to 1W at 25°C	ANNEQ-50K+ meets a wide range of system power requirements.
Wide operating temperature range, -55 to +100°C	Withstands tough operating conditions and is suitable for use near high power components where heat rise is common.

Notes

- A. Performance and quality attributes and conditions not expressly stated in this specification document are intended to be excluded and do not form a part of this specification document.
B. Electrical specifications and performance data contained in this specification document are based on Mini-Circuit's applicable established test performance criteria and measurement instructions.
C. The parts covered by this specification document are subject to Mini-Circuits standard limited warranty and terms and conditions (collectively, "Standard Terms"); Purchasers of this part are entitled to the rights and benefits contained therein. For a full statement of the Standard Terms and the exclusive rights and remedies thereunder, please visit Mini-Circuits' website at www.minicircuits.com/MCLStore/terms.jsp



Coaxial Termination Quick-Turn

50Ω DC to 40 GHz

ANNEQ-50K+

Maximum Ratings

Operating Temperature	-55°C to 100°C
Storage Temperature	-55°C to 100°C

Permanent damage may occur if any of these limits are exceeded.

Features

- quick turn, 1 turn
- wideband coverage, DC to 40 GHz
- return loss, 27 dB typ. up to 18 GHz and 27 dB typ. up to 40 GHz
- rugged construction
- 2.92 mm connector mates with SMA, K, and 3.5mm connectors



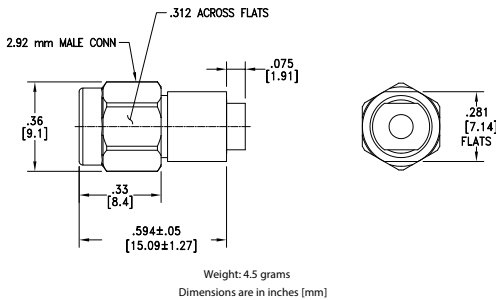
Generic photo used for illustration purposes only
CASE STYLE: LL2699-2

Connector	Model
2.92mm-Male Quick-Turn	ANNEQ-50K+

+RoHS Compliant

The +Suffix identifies RoHS Compliance. See our web site for RoHS Compliance methodologies and qualifications

Outline Drawing



Applications

- test and measurement equipment
- test labs

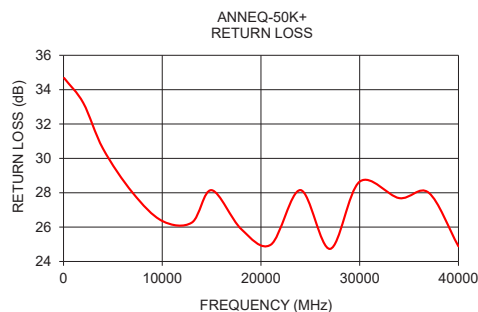
Electrical Specifications at 25°C

Parameter	Condition (GHz)	Min.	Typ.	Max.	Unit
Frequency Range		DC	—	40	GHz
Impedance			50		Ohms
Return Loss	DC - 4	19	36	—	dB
	4 - 18	19	27	—	
	18 - 30	19	24	—	
	30 - 40	19	27	—	
Input Power ¹	DC - 40	—	—	1	W

1. To 100°C, derate linearly to 325 mW at 100°C.

Typical Performance Data

Frequency (MHz)	Return Loss (dB)
50	34.68
2000	33.22
4000	30.56
7000	28.00
10000	26.36
13000	26.27
15000	28.15
18000	25.88
21000	24.98
24000	28.15
27000	24.73
30000	28.65
34000	27.69
37000	28.00
40000	24.88



Notes

- Performance and quality attributes and conditions not expressly stated in this specification document are intended to be excluded and do not form a part of this specification document.
- Electrical specifications and performance data contained in this specification document are based on Mini-Circuit's applicable established test performance criteria and measurement instructions.
- The parts covered by this specification document are subject to Mini-Circuits standard limited warranty and terms and conditions (collectively, "Standard Terms"); Purchasers of this part are entitled to the rights and benefits contained therein. For a full statement of the Standard Terms and the exclusive rights and remedies thereunder, please visit Mini-Circuits' website at www.minicircuits.com/MCLStore/terms.jsp

