

Surface Mount Bandpass Filter

CBP-915C+

50Ω 902.5 to 927.5 MHz

The Big Deal

- Narrow bandwidth
- Excellent Rejection
- High power handling
- Miniature shielded package



Generic photo used for illustration purposes only
CASE STYLE: MP1766

Product Overview

CBP-915C+ is a ceramic-coaxial-resonator based bandpass filter in a shielded package fabricated using SMT technology. This filter offers outstanding close in rejection, low insertion loss and high power handling for use in scientific and medical (ISM) applications

Key Features

Feature	Advantages
High Selectivity	The CBP-915C+ filter incorporates High-Q ceramic resonators that enables sharp rejection near passband.
Low Passband VSWR	This filter maintains typical VSWR over passband frequency range making this filter easier to integrate into receiver and transmitter RF chains with less concerns for in band frequency ripple.
Rugged construction	The CBP-915C+ has been qualified over wide range of thermal, mechanical and environmental conditions including withstanding the stress of extensive solder reflow cycles.

Notes

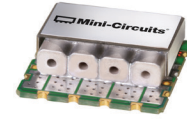
- A. Performance and quality attributes and conditions not expressly stated in this specification document are intended to be excluded and do not form a part of this specification document.
B. Electrical specifications and performance data contained in this specification document are based on Mini-Circuit's applicable established test performance criteria and measurement instructions.
C. The parts covered by this specification document are subject to Mini-Circuits standard limited warranty and terms and conditions (collectively, "Standard Terms"); Purchasers of this part are entitled to the rights and benefits contained therein. For a full statement of the Standard Terms and the exclusive rights and remedies thereunder, please visit Mini-Circuits' website at www.minicircuits.com/MCLStore/terms.jsp



Surface Mount Bandpass Filter

CBP-915C+

50Ω 902.5 to 927.5 MHz



Generic photo used for illustration purposes only
CASE STYLE: MP1766

Features

- Narrow bandwidth
- Excellent rejection
- High selectivity
- High power handling
- Miniature shielded package

Applications

- Industrial, Scientific and medical (ISM)
- Amateur radio
- Private and public land mobile
- Field disturbance sensors

Electrical Specifications at 25°C

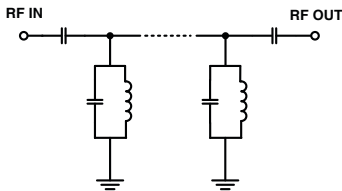
Parameter	F#	Frequency (MHz)	Min.	Typ.	Max.	Unit	
Pass Band	Center Frequency	—	—	915	—	MHz	
	Insertion Loss	F1-F2	902.5-927.5	—	1.10	2.00	dB
	VSWR	F1-F2	902.5-927.5	—	1.24	2.10	:1
Stop Band, Lower	Insertion Loss	DC-F3	DC-830	20	27	—	dB
	VSWR	DC-F3	DC-830	—	20	—	:1
Stop Band, Upper	Insertion Loss	F4-F5	1005-1800	20	27	—	dB
	VSWR	F4-F5	1005-1800	—	20	—	:1

Maximum Ratings

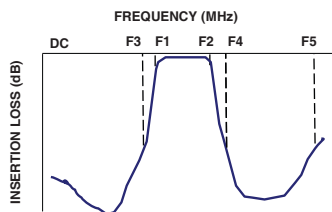
Operating Temperature	-40°C to 85°C
Storage Temperature	-55°C to 100°C
RF Power Input	10W

Permanent damage may occur if any of these limits are exceeded.

Functional Schematic



Typical Frequency Response

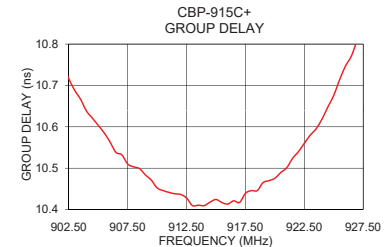
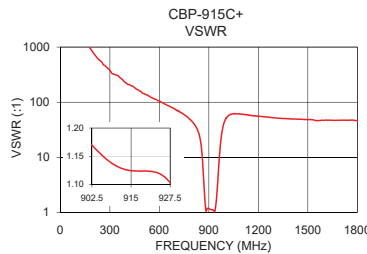
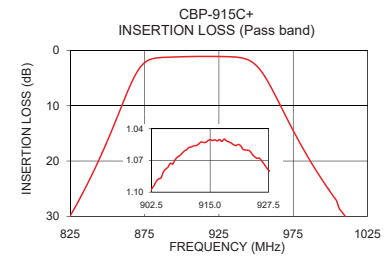
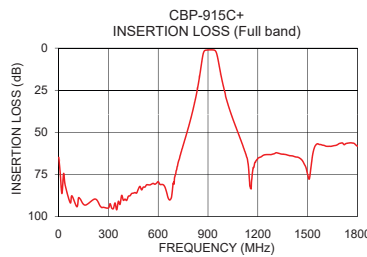


Typical Performance Data at 25°C

Frequency (MHz)	Insertion Loss (dB)	VSWR (:1)	Frequency (MHz)	Group Delay (nsec)
1.0	64.87	1222.18	902.5	10.72
500.0	84.13	145.00	904.0	10.64
800.0	40.38	44.34	905.5	10.59
824.0	30.32	34.89	907.0	10.53
830.0	27.49	32.18	908.5	10.50
844.0	19.94	23.90	910.0	10.45
860.0	9.73	9.94	911.5	10.44
872.0	3.03	2.57	913.0	10.41
900.0	1.11	1.18	914.5	10.42
902.5	1.10	1.17	915.0	10.42
915.0	1.05	1.12	916.5	10.42
927.5	1.08	1.10	917.5	10.44
952.0	3.25	3.08	919.0	10.47
967.0	10.30	13.63	920.5	10.49
988.0	20.69	38.69	922.0	10.54
1005.0	27.89	52.65	923.5	10.60
1012.0	30.70	54.70	925.0	10.68
1156.0	83.24	57.59	926.5	10.77
1500.0	74.93	48.46	927.0	10.81
1800.0	58.15	46.15	927.5	10.84

+RoHS Compliant

The +Suffix identifies RoHS Compliance. See our web site for RoHS Compliance methodologies and qualifications



Notes

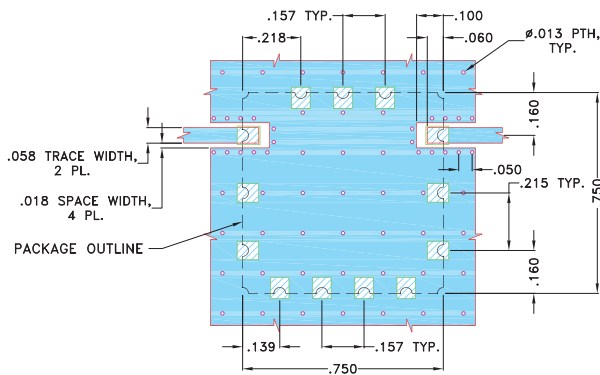
- Performance and quality attributes and conditions not expressly stated in this specification document are intended to be excluded and do not form a part of this specification document.
- Electrical specifications and performance data contained in this specification document are based on Mini-Circuit's applicable established test performance criteria and measurement instructions.
- The parts covered by this specification document are subject to Mini-Circuits standard limited warranty and terms and conditions (collectively, "Standard Terms"); Purchasers of this part are entitled to the rights and benefits contained therein. For a full statement of the Standard Terms and the exclusive rights and remedies thereunder, please visit Mini-Circuits' website at www.minicircuits.com/MCLStore/terms.jsp



Pad Connections

INPUT	1
OUTPUT	10
GROUND	2,3,4,5,6,7,8,9,11,12,13

Demo Board MCL P/N: TB-684+
Suggested PCB Layout (PL-373)

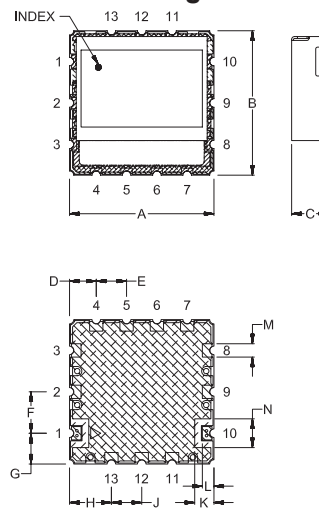


NOTES:

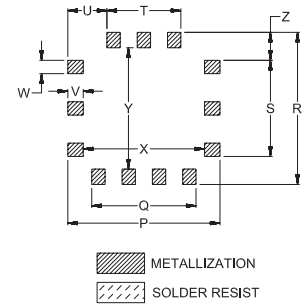
- TRACE WIDTH IS SHOWN FOR OAK (OAK-602) WITH DIELECTRIC THICKNESS .022"±.0015". COPPER: 1/2 OZ. EACH SIDE. FOR OTHER MATERIALS TRACE WIDTH MAY NEED TO BE MODIFIED.
- BOTTOM SIDE OF THE PCB IS CONTINUOUS GROUND PLANE.

- DENOTES PCB COPPER LAYOUT WITH SMOBC (SOLDER MASK OVER BARE COPPER)
- DENOTES COPPER LAND PATTERN FREE OF SOLDERMASK

Outline Drawing



PCB Land Pattern



Outline Dimensions (inch)

A	B	C	D	E	F	G	H	J	K	L	M	N
.750	.750	.210	.139	.157	.215	.160	.218	.157	.100	.060	.069	.149
19.05	19.05	5.33	3.53	3.99	5.46	4.06	5.54	3.99	2.54	1.52	1.75	3.78
P	Q	R	S	T	U	V	W	X	Y	Z	wt.	
.790	.541	.790	.499	.384	.203	.080	.069	.630	.630	.145	grams	
20.07	13.74	20.07	12.67	9.75	5.16	2.03	1.75	16.00	16.00	3.68	4.6	

Note: Please refer to case style drawing for details

Notes

- Performance and quality attributes and conditions not expressly stated in this specification document are intended to be excluded and do not form a part of this specification document.
- Electrical specifications and performance data contained in this specification document are based on Mini-Circuit's applicable established test performance criteria and measurement instructions.
- The parts covered by this specification document are subject to Mini-Circuits standard limited warranty and terms and conditions (collectively, "Standard Terms"); Purchasers of this part are entitled to the rights and benefits contained therein. For a full statement of the Standard Terms and the exclusive rights and remedies thereunder, please visit Mini-Circuits' website at www.minicircuits.com/MCLStore/terms.jsp

