



COAXIAL

# Adapter

## DINF-DINM+

50Ω DC to 6 GHz DIN Female to DIN Male

### KEY FEATURES

- Ultra-Wideband, DC to 6 GHz
- Low Insertion Loss, 0.02 dB Typ. to 6 GHz
- Excellent VSWR, 1.05:1 Typ. to 6 GHz
- Straight Body



Generic photo used for illustration purposes only

### PRODUCT OVERVIEW

Mini-Circuits' DINF-DINM+ is a coaxial DIN female to DIN male adapter supporting a wide range of applications from DC to 6 GHz. This model provides excellent VSWR and low insertion loss over the frequency band. The DINF-DINM+ features passivated stainless-steel construction with a gold-plated beryllium copper center pin and measures only 1.378" in length.

### ELECTRICAL SPECIFICATIONS<sup>1</sup> AT +25 °C

Parameter	Frequency (GHz)				Units
		Min.	Typ.	Max.	
Frequency Range		DC		6	GHz
Insertion Loss	0.01-6	-	0.02	0.25	dB
VSWR	0.01-6	-	1.05	1.20	:1

1. Specifications are tested to minimum frequency of 0.01 GHz.

### ABSOLUTE MAXIMUM RATINGS<sup>2</sup>

Operating Case Temperature	-45 °C to +125 °C
Storage Temperature	-45 °C to +125 °C

2. Permanent damage may occur if any of these limits are exceeded.



COAXIAL

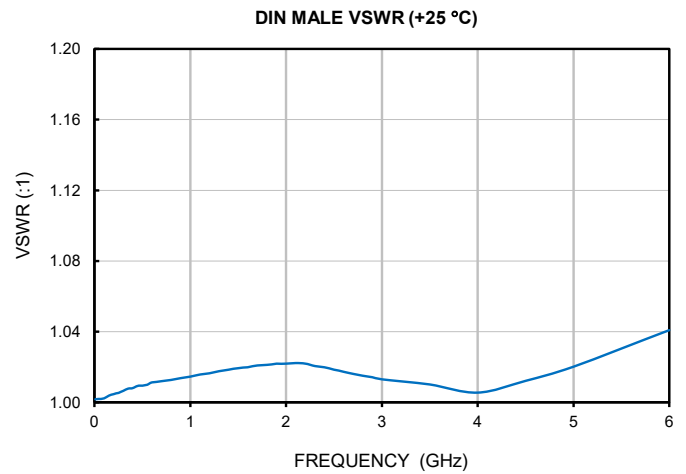
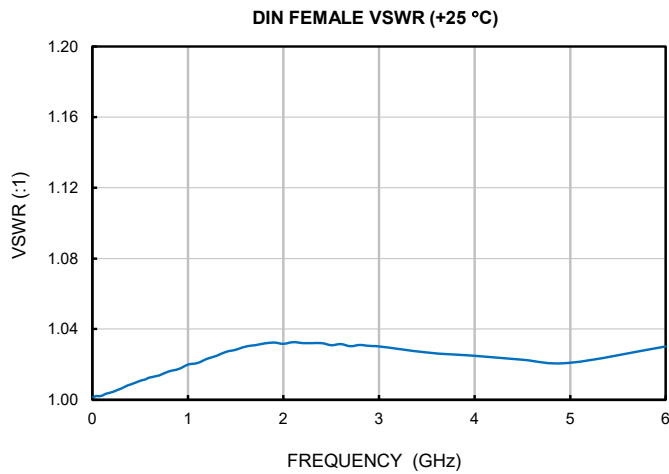
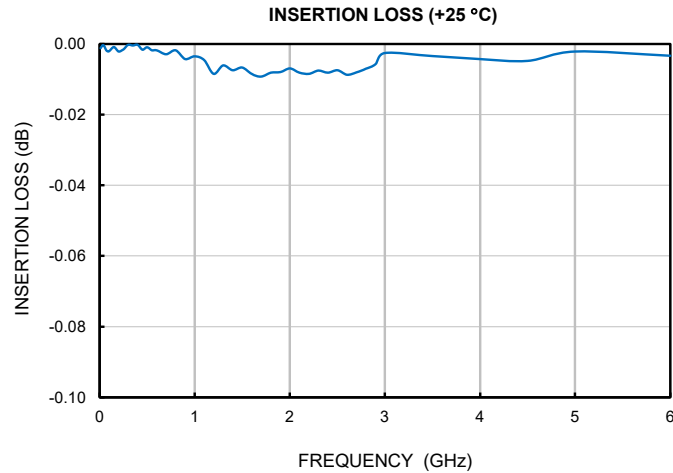
# Adapter

DINF-DINM+

Mini-Circuits

50Ω DC to 6 GHz DIN Female to DIN Male

## TYPICAL PERFORMANCE GRAPHS





COAXIAL

# Adapter

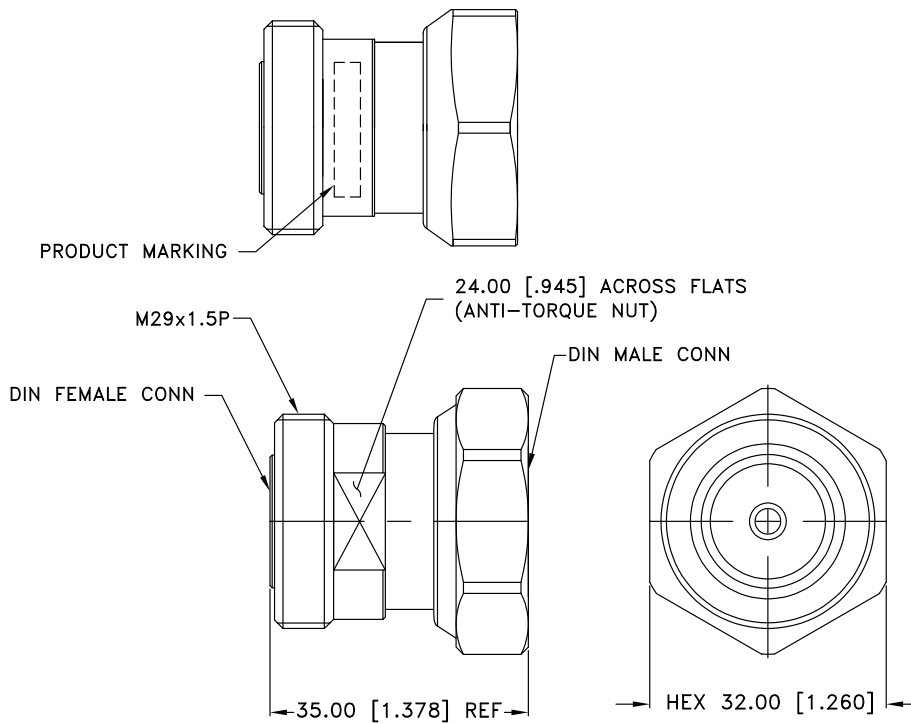
## DINF-DINM+

50Ω DC to 6 GHz DIN Female to DIN Male

### CONNECTOR SPECIFICATIONS

Description	Connector 1	Connector 2
Connector Type	DIN Female	DIN Male
Orientation	Straight	Straight

### CASE STYLE DRAWING



Dimensions are in mm [Inches]. Tolerances: 2 Pl.±0.40 mm

### PRODUCT MARKING\*: DINF-DINM+

\*Marking may contain other features or characters for internal lot control.





COAXIAL

# Adapter

## DINF-DINM+

Mini-Circuits

50Ω DC to 6 GHz DIN Female to DIN Male

ADDITIONAL INFORMATION IS AVAILABLE ON OUR DASHBOARD

[CLICK HERE](#)

Performance Data & Graphs	Data Graphs S-Parameter (S2P Files) Data Set (.zip file)
Case Style	DJ3847-1
RoHS Status	Compliant
Environmental Ratings	ENV152

#### NOTES

- A. Performance and quality attributes and conditions not expressly stated in this specification document are intended to be excluded and do not form a part of this specification document.
- B. Electrical specifications and performance data contained in this specification document are based on Mini-Circuits' applicable established test performance criteria and measurement instructions.
- C. The parts covered by this specification document are subject to Mini-Circuits' standard limited warranty and terms and conditions (collectively, "Standard Terms"); Purchasers of this part are entitled to the rights and benefits contained therein. For a full statement of the standard terms and the exclusive rights and remedies thereunder, please visit Mini-Circuits' website at [www.minicircuits.com/terms/viewterm.html](http://www.minicircuits.com/terms/viewterm.html)

