

Ceramic

# Low Pass Filter

50Ω

DC<sup>(1)</sup> to 95 MHz

LFCN-95



CASE STYLE: FV1206

## Maximum Ratings

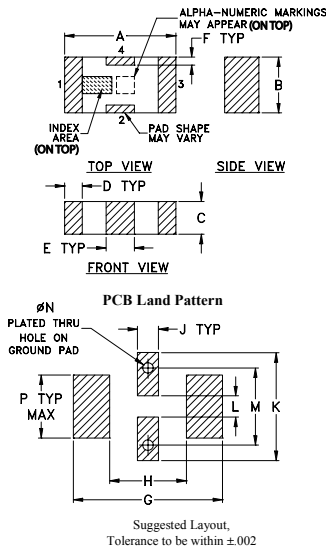
Operating Temperature	-55°C to 100°C
Storage Temperature	-55°C to 100°C
RF Power Input*	8.5W max. at 25°C

\* Passband rating, derate linearly to 3.5W at 100°C ambient. Permanent damage may occur if any of these limits are exceeded.

## Pin Connections

RF IN	1
RF OUT	3
GROUND	2,4

## Outline Drawing



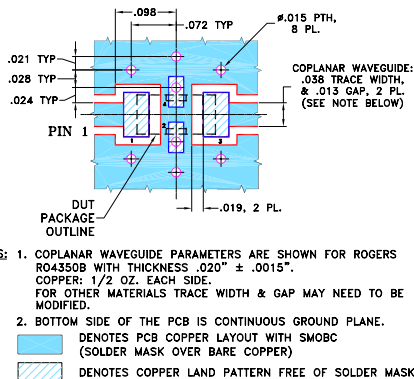
## Outline Dimensions (inch)

A	B	C	D	E	F	G
.126	.063	.037	.020	.032	.009	.169
3.20	1.60	0.94	0.51	0.81	0.23	4.29

H	J	K	L	M	N	P	wt
.087	.024	.122	.024	.087	.012	.071	grams
2.21	0.61	3.10	0.61	2.21	0.30	1.80	.020

## Demo Board MCL P/N: TB-270 Suggested PCB Layout (PL-137)



NOTES: 1. COPLANAR WAVEGUIDE PARAMETERS ARE SHOWN FOR ROGERS RO4350B WITH THICKNESS .020" ± .0015". COPPER: 1/2 OZ. EACH SIDE. FOR OTHER MATERIALS TRACE WIDTH & GAP MAY NEED TO BE MODIFIED.

2. BOTTOM SIDE OF THE PCB IS CONTINUOUS GROUND PLANE.

## Notes

- A. Performance and quality attributes and conditions not expressly stated in this specification document are intended to be excluded and do not form a part of this specification document.  
 B. Electrical specifications and performance data contained in this specification document are based on Mini-Circuits' applicable established test performance criteria and measurement instructions.  
 C. The parts covered by this specification document are subject to Mini-Circuits standard limited warranty and terms and conditions (collectively, "Standard Terms"); Purchasers of this part are entitled to the rights and benefits contained therein. For a full statement of the Standard Terms and the exclusive rights and remedies thereunder, please visit Mini-Circuits' website at [www.minicircuits.com/MCLStore/terms.jsp](http://www.minicircuits.com/MCLStore/terms.jsp)

## Features

- excellent power handling, 8.5W
- small size
- 7 sections
- temperature stable
- LTCC construction
- protected by U.S. Patent 6,943,646

## Applications

- harmonic rejection
- VHF/UHF transmitters/receivers

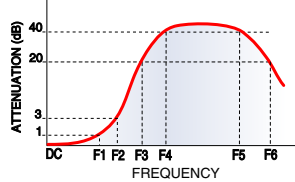
## Electrical Specifications<sup>(1,2)</sup> at 25°C

Parameter	F#	Frequency (MHz)	Min.	Typ.	Max.	Unit	
Pass Band	Insertion Loss	DC-F1	DC-95	—	—	1.0	dB
	Freq. Cut-Off	F2	165	—	3.0	—	dB
	VSWR	DC-F1	DC-95	—	1.2	—	:1
Stop Band	Rejection Loss	F3	240	20	—	—	dB
		F4-F5	255-1600	—	40	—	dB
		F6	4500	—	20	—	dB
	VSWR	F3-F6	240-4500	—	20	—	:1

(1) In Application where DC voltage is present at either input or output ports, coupling capacitors are required.

(2) Measured on Mini-Circuits Characterization Test Board TB-270.

## Typical Frequency Response



## Electrical Schematic



## Typical Performance Data at 25°C

Frequency (MHz)	Insertion Loss (dB)	VSWR (:1)
10.00	0.30	1.06
95.00	0.83	1.07
165.00	2.56	1.79
180.00	4.08	2.58
220.00	17.29	8.75
240.00	30.37	11.55
250.00	36.66	12.43
410.00	55.58	23.11
700.00	53.60	50.04
1235.00	44.98	76.58
1600.00	39.94	68.40
2000.00	33.54	63.70
2500.00	27.39	48.12
4500.00	20.96	24.63
5000.00	19.57	21.89

