



ULTRA HIGH DYNAMIC RANGE

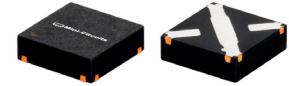
Monolithic Amplifier

LHA-1+

50Ω 0.05 to 6 GHz

THE BIG DEAL

- High IP3, +40 dBm typ. at 2 GHz, +5V
- Gain, 14.1 dB typ. at 2 GHz, +5V
- High Pout, P1dB +22.7 dBm typ. at 2 GHz, +5V
- Low noise figure, 2.1 dB @2 GHz, +5V
- Usable to +4.0V
- No external matching components required



Generic photo used for illustration purposes only

CASE STYLE: FG873

+RoHS Compliant
 The +Suffix identifies RoHS Compliance.
 See our website for methodologies and qualifications

APPLICATIONS

- Base station infrastructure
- Portable Wireless
- CATV & DBS
- MMDS & Wireless LAN
- LTE

PRODUCT OVERVIEW

LHA-1+ (RoHS compliant) is an advanced wideband amplifier fabricated using E-PHEMT technology and offers extremely high dynamic range over a broad frequency range and with low noise figure. In addition, the LHA-1+, unlike competitive models, is well matched (input and output) over a broad frequency range without the need for external matching components. Lead finish is tin-silver over nickel. It is enclosed in a 3x3 mm MCLP package for low parasitic interface.

KEY FEATURES

Feature	Advantages
Broad Band: 0.05 to 6.0 GHz	Broadband covering primary wireless communications bands: Cellular, PCS, LTE, WiMAX
Extremely High IP3 versus DC power Consumption +40 dBm typical at 2 GHz	The LHA-1+ matches industry leading IP3 performance relative to device size and power consumption. The combination of the design and E-PHEMT Structure provides enhanced linearity over a broad frequency range as evidence in the IP3 being typically 17 dB above the P 1dB point. This feature makes this amplifier ideal for use in: <ul style="list-style-type: none"> • Driver amplifiers for complex waveform up converter paths • Drivers in linearized transmit systems • Secondary amplifiers in ultra High Dynamic range receivers
No External Matching Components Required	LHA-1+ provides Input and Output Return Loss of 10-21 dB up to 4 GHz without the need for any external matching components
Low Noise Figure: 2.6dB typ. up to 4 GHz 3.4 dB typ. up to 6 GHz	A unique feature of the LHA-1+ which separates this design from all competitors is the low noise figure performance in combination with the high dynamic range.

REV. C
 ECO-019357
 LHA-1+
 MCL NY
 240725





ULTRA HIGH DYNAMIC RANGE

Monolithic Amplifier

LHA-1+

50Ω 0.05 to 6 GHz

ELECTRICAL SPECIFICATIONS¹ AT +25°C, UNLESS NOTED OTHERWISE

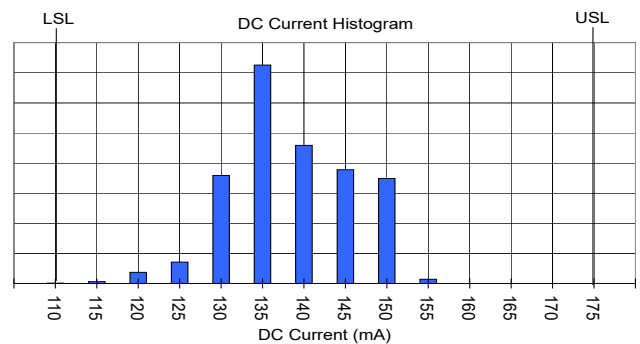
Parameter	Condition (GHz)	Vd=+5.0V			Vd=+4.5V	Vd=+4.0V	Units
		Min.	Typ.	Max.	Typ.	Typ.	
Frequency Range		0.05		6	0.05-6	0.05-6	GHz
Gain	0.05	15.4	17.6	19.4	17.4	17.1	dB
	0.8	14.1	16.0	17.3	15.7	15.4	
	2.0	—	14.1	—	13.9	13.5	
	3.0	—	12.5	—	12.2	11.9	
	4.0	9.6	11.1	12.3	10.9	10.6	
	6.0	—	9.2	—	9.0	8.7	
Input Return Loss	0.05	—	11.2	—	11.2	11.1	dB
	0.8	13.0	15.8	—	15.8	15.6	
	2.0	—	11.5	—	11.5	11.3	
	3.0	—	10.4	—	10.4	10.2	
	4.0	—	10.1	—	10.2	10.1	
	6.0	—	9.0	—	9.0	9.0	
Output Return Loss	0.05	—	14.1	—	14.0	13.8	dB
	0.8	13.0	20.8	—	20.1	19.3	
	2.0	—	15.8	—	15.4	14.6	
	3.0	—	13.9	—	13.6	13.1	
	4.0	—	12.8	—	12.7	12.3	
	6.0	—	12.0	—	12.8	11.3	
Reverse Isolation	2.0		19.3		19.1	18.7	dB
Output Power @1 dB Compression	0.05	+20.0	+22.8	—	+21.6	+20.1	dBm
	0.8	+20.0	+22.6	—	+21.5	+20.0	
	2.0	+20.0	+22.7	—	+21.6	+20.1	
	3.0	—	+23.0	—	+21.9	+20.4	
	4.0	—	+22.9	—	+21.9	+20.4	
	6.0	—	+22.5	—	+21.6	+20.1	
Output IP3	0.05	—	+40.3	—	+39.0	+35.2	dBm
	0.8	+37.0	+39.6	—	+39.7	+35.9	
	2.0	—	+39.5	—	+37.3	+33.1	
	3.0	—	+39.6	—	+37.0	+32.7	
	4.0	—	+39.0	—	+36.7	+32.3	
	6.0	—	+38.0	—	+35.8	+31.5	
Noise Figure	0.05		1.8		1.7	1.7	dB
	0.8		2.0		2.0	2.0	
	2.0		2.1		2.0	2.0	
	3.0		2.3		2.2	2.2	
	4.0		2.6		2.4	2.4	
	6.0		3.4		3.2	3.0	
Device Operating Voltage		+4.8	+5.0	+5.2	+4.5	+4.0	V
Device Operating Current		110	146	180	114	87	mA
Device Current Variation vs. Temperature ²			116		138	138	μA/°C
Device Current Variation vs Voltage		116	0.057	—	0.055	0.055	mA/mV
Thermal Resistance, junction-to-ground lead			59		59	59	°C/W

1. Measured on Mini-Circuits Characterization test board TB-784+. See Characterization Test Board (Fig. 1)
 2. (Current at 85°C – Current at -45°C)/130

ABSOLUTE MAXIMUM RATINGS

Parameter	Ratings
Operating Temperature (ground lead)	-40°C to 85°C
Storage Temperature	-65°C to 150°C
Operating Current at +5V	210 mA
Power Dissipation	1 W
Input Power (CW)	+24 dBm
DC Voltage on Pin 3	+6 V

Permanent damage may occur if any of these limits are exceeded.
 Electrical maximum ratings are not intended for continuous normal operation.





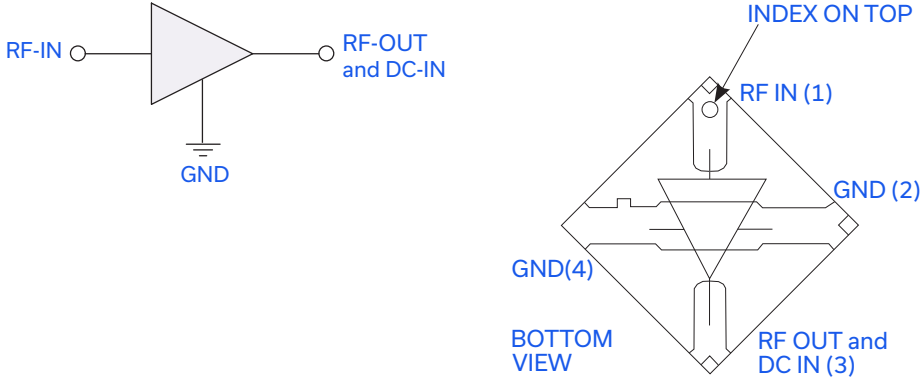
ULTRA HIGH DYNAMIC RANGE

Monolithic Amplifier

LHA-1+

50Ω 0.05 to 6 GHz

SIMPLIFIED SCHEMATIC AND PAD DESCRIPTION



Function	Pad Number	Description
RF-IN	1	RF input pin. This pin requires the use of an external DC blocking capacitor chosen for the frequency of operation.
RF-OUT and DC-IN	3	RF output and bias pin. DC voltage is present on this pin; therefore a DC blocking capacitor is necessary for proper operation. An RF choke is needed to feed DC bias without loss of RF signal due to the bias connection, as shown in "Recommended Application Circuit", Fig. 2
GND	2,4	Connections to ground. Use via holes as shown in "Suggested Layout for PCB Design" to reduce ground path inductance for best performance.



ULTRA HIGH DYNAMIC RANGE

Monolithic Amplifier

LHA-1+

50Ω 0.05 to 6 GHz

CHARACTERIZATION TEST CIRCUIT

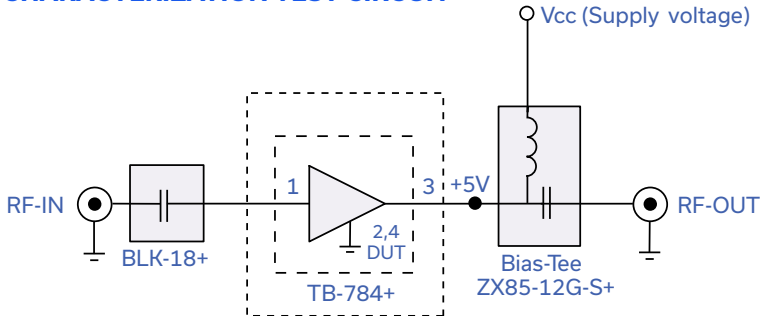
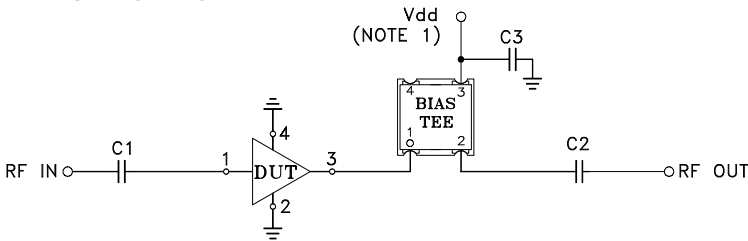


Fig 1. Block Diagram of Test Circuit used for characterization. (DUT soldered on Mini-Circuits Characterization test board TB-784+) Gain, Return loss, Output power at 1dB compression (P1 dB), output IP3 (OIP3) and noise figure measured using Agilent's N5242A PNA-X microwave network analyzer.

Conditions:

1. Gain and Return loss: $P_{IN} = -25\text{dBm}$
2. Output IP3 (OIP3): Two tones, spaced 1 MHz apart, 5 dBm/tone at output.

EVALUATION BOARD



RECOMMENDED APPLICATION CIRCUIT

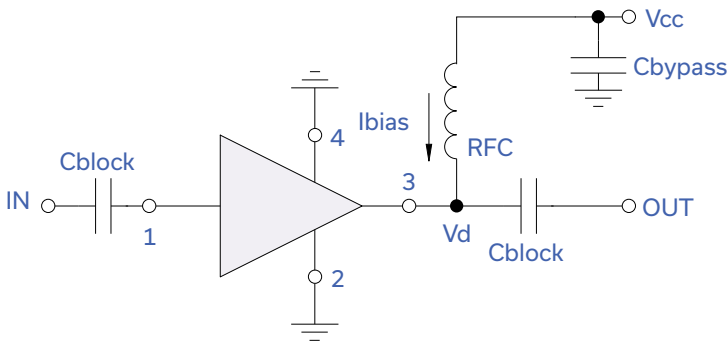
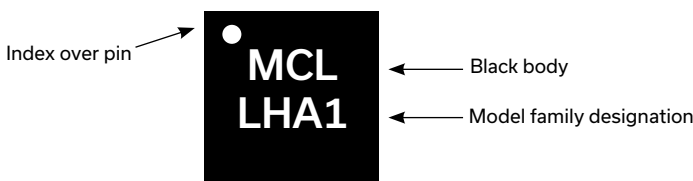


Fig 2. Evaluation Board TB-819+. Includes case, connectors and components soldered to PCB

Component	Value	Size	Part Number	Manufacturer
C1, C2	0.001uF	0402	GRM1555C1H-102JA01D	Murata
C3	1nF	0603	GRM1885C1H-102JA01D	Murata
DUT	-	3x3mm	LHA-1+	Mini-Circuits
Bias Tee	-	3.81x3.81 mm	TCBT-14+	Mini-Circuits

PRODUCT MARKING



Marking may contain other features or characters for internal lot control





ULTRA HIGH DYNAMIC RANGE

Monolithic Amplifier

LHA-1+

50Ω 0.05 to 6 GHz

ADDITIONAL DETAILED TECHNICAL INFORMATION IS AVAILABLE ON OUR DASHBOARD. [CLICK HERE](#)

Performance Data	Data Table Swept Graphs S-Parameter (S2P Files) Data Set (.zip file)
Case Style	FG873 (3x3 mm MCLP) Plastic package, exposed paddle lead finish: tin-silver over nickel
Tape & Reel Standard quantities available on reel	F68 7" reels with 20, 50, 100, 200, 500, 1K, 2K or 3K devices 13" Reels with 2K, 3K, 4K devices
Suggested Layout for PCB Design	PL-443
Evaluation Board	TB-819+
Environmental Ratings	ENV08T1

ESD RATING

Human Body Model (HBM): Class 1A (250 to <500V) in accordance with ANSI/ESD STM 5.1 - 2001

Machine Model (MM): Class M1 (>25V) in accordance with ANSI/ESD STM5.2-1999

MSL RATING

Moisture Sensitivity: MSL1 in accordance with IPC/JEDEC J-STD-020D

NOTES

- A. Performance and quality attributes and conditions not expressly stated in this specification document are intended to be excluded and do not form a part of this specification document.
- B. Electrical specifications and performance data contained in this specification document are based on Mini-Circuit's applicable established test performance criteria and measurement instructions.
- C. The parts covered by this specification document are subject to Mini-Circuits standard limited warranty and terms and conditions (collectively, "Standard Terms"); Purchasers of this part are entitled to the rights and benefits contained therein. For a full statement of the standard terms and the exclusive rights and remedies thereunder, please visit Mini-Circuits' website at www.minicircuits.com/terms/viewterm.html

