



Supported Models
RC4DAT-8G-95

Product Overview

Mini-Circuits' RKT-RC4DAT-2 is a ready-made kit for rack-mounting a pair of RC4DAT-8G-95 multi-channel programmable attenuators. The kit includes a 1U 19" rack-mountable panel and all the fittings needed for mounting and assembly.

Note: RC4DAT-8G-95 is not included.

For larger multi-channel attenuator assemblies the ZTDAT series provides an alternative option, from 8 to 48 attenuator channels in a compact rack-mountable chassis. [Click here](#) for more details.

Mechanical Specifications

Dimensions	19" (W) x 1U (H)	
Case Drawing	99-01-3198	
Case Material	• Aluminum (with protective coating to prevent corrosion)	
Panel Items	Front Panel	Rear Panel
Panel Marking	• Model name	• CE • EAC

Kit Components

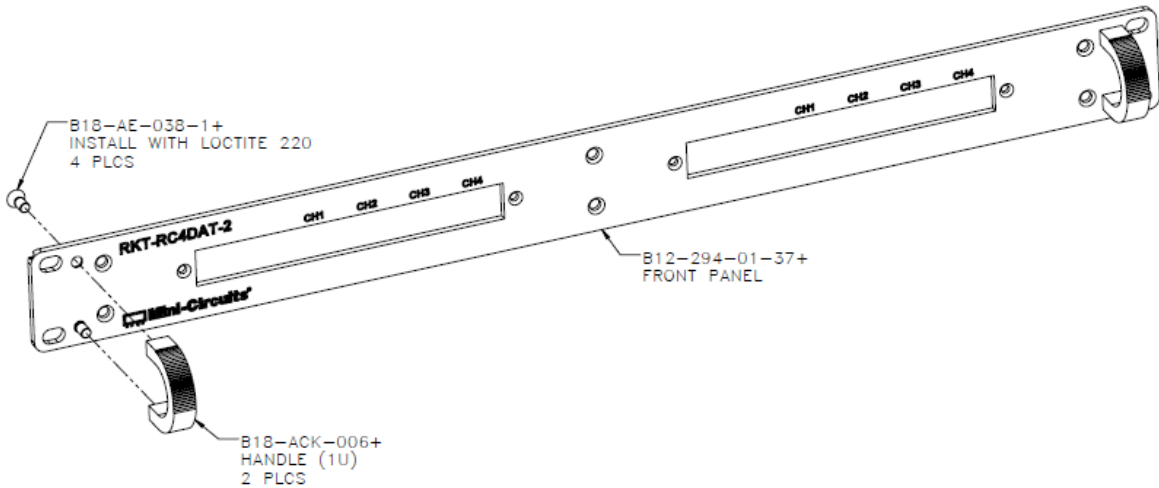
Part Number	Quantity	Description
B12-294-01-37+	1	Front Panel, 1U
B13-294-15+	2	Mounting Angle, RC4DAT
B13-294-16+	1	Stiffening Angle
B18-AC-038+	4	Screw, FL HD, #4-40 x 3/8 LG
B18-ACK-006+	2	Handle, 1U
B18-AD-044-1+	3	Screw 82 FL HD #6-32 .438" LG
B18-AE-038-1+	4	Screw, Pan HD, #8-32 x 3/8 LG
B18-DB-038+	8	Screw Pan HD #2-56 3/8" LG
B18-HB-002+	8	Washer FL#2 OD.187/ID.096
B18-JB-001+	8	Washer Split Lock #2

Ordering Information

Please contact Mini-Circuits' Test Solutions department for price and availability:

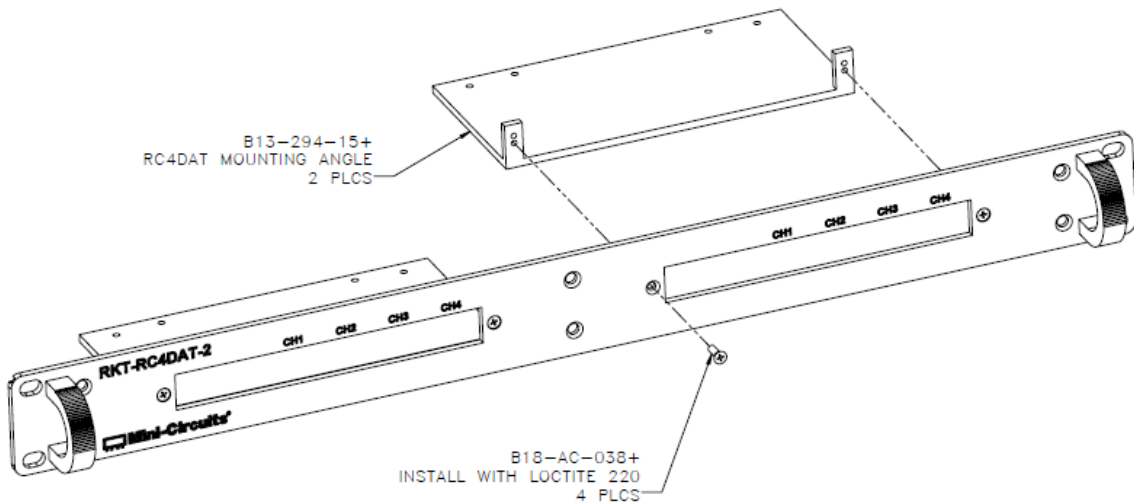
testsolutions@minicircuits.com

Assembly Guide



STEP 1.

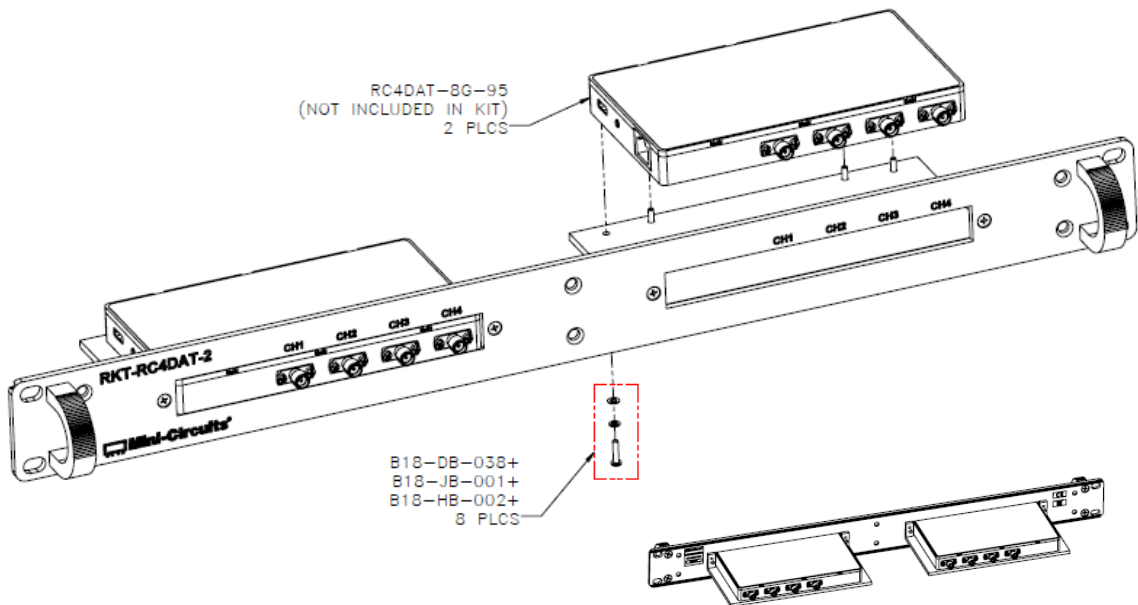
- ATTACH 2X B18-ACK-006 HANDLES (1U) TO THE B12-294-01-37+ FRONT PANEL USING X4 B18-AE-038-1+ SCREWS AS SHOWN. INSTALL WITH LOCTITE 220.



STEP 2.

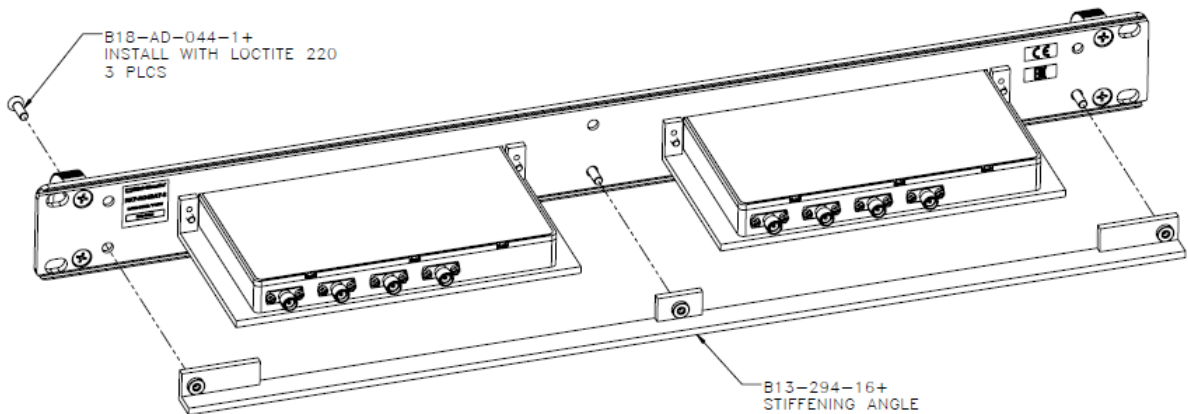
- ATTACH 2X B13-294-15+ RC4DAT MOUNTING ANGLES TO THE FRONT PANEL USING X4 B18-AC-038+ SCREWS AS SHOWN. INSTALL WITH LOCTITE 220.

Assembly Guide



STEP 3.

- ATTACH 2X RC4DAT-8G-95 PROGRAMMABLE ATTENUATORS TO THE MOUNTING ANGLES USING X8 B18-DB-038+ SCREWS, B18-HB-002+ SPRING WASHERS, AND B18-HB-002+ FLAT WASHERS AS SHOWN.



STEP 4.

- ATTACH B13-294-16+ STIFFENING ANGLE TO THE FRONT PANEL USING X3 B18-AD-044-1+ SCREWS AS SHOWN. INSTALL WITH LOCTITE 220.

Rack Mounting Kit

RKT-RC4DAT-2

Outline Drawing (After Assembly)

