

## Directional Coupler

## TCD-ED13989/1

### Important Note

This model has been designed, built and tested in our engineering department. Performance data represents model capability. At present it is a non-catalog model. On request, we can supply a final specification sheet, part number and price/delivery information.



Please click "Back", and then click "Contact Us" for Applications support.

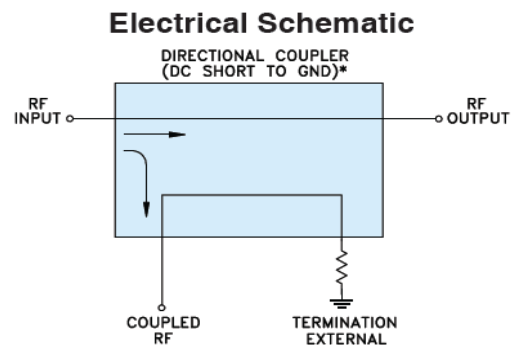
**CASE STYLE : DB1627**

ELECTRICAL SPECIFICATIONS 75Ω @ +25°C				
Parameter	Min.	Typ.	Max.	Units
Frequency	5		2000	MHz
Coupling	Nominal	16.5±0.5		dB
	Flatness	±0.7		dB
Mainline Loss *	5 MHz	1.5		dB
	950 MHz	1.2		dB
	2000 MHz	1.6		dB
Directivity	5 MHz	14		dB
	950 MHz	29		dB
	2000 MHz	14		dB
VSWR	5-2000 MHz	1.11		(:1)
RF Power Input	5-2000 MHz		1	W

**Note:** \* Mainline loss includes theoretical coupled power loss of 0.1dB at 16.5dB coupling.

MAXIMUM RATINGS	
Operating Temperature	-40°C to 85°C
Storage Temperature	-55°C to 100°C

PIN CONNECTIONS	
INPUT	3
OUTPUT	4
COUPLED	1
NOT USED	5
75Ω TERM. EXTERNAL	6
GROUND	2



\* ELECTRICAL SCHEMATIC IS FOR DIRECTIONAL COUPLER WITH INTERNAL TRANSFORMER(S) AND EXTERNAL TERMINATION.