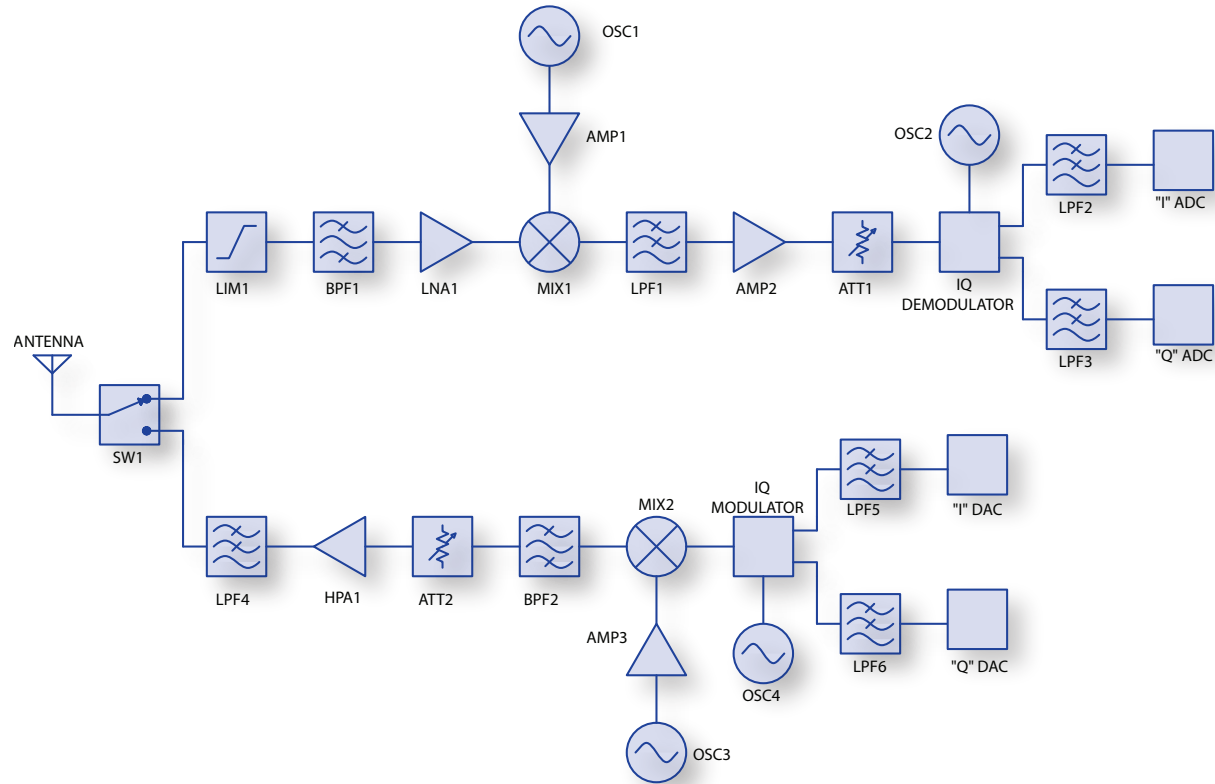


TRANSCEIVER



Schematic Part No.	Sample Mini-Circuits Model Families
AMP1, AMP2, AMP3	MAR , GALI , GVA , VNA , VAM , RAM , YSF , ERA , MNA , LEE , PGA , PHA , PSA
ATT1, ATT2	GAT , PAT , YAT , RCAT
BPF1, BPF2	BFCN , RBP , BFCG , BPE , CBP , JCBP , SXBP , SYBP
HPA1	GVA (up to 1watt)
LIM1	RLM , CLM
LNA1	SAV , TAV , CMA , PMA , PGA , PSA , RAMP , TAMP
LPF1, LPF2, LPF3, LPF4, LPF5, LPF6	LFCN , XLF , LFCW , LFTC , LPE , RLP , SALF , SCLE , SXLPL
MIX1, MIX2	ADE , SIM , MAC , etc
OSC1, OSC2, OSC3, OSC4	ROS , KSN
SW1	HSPA , GSPA , CSPA , JSPW , KSPW , KSPA , MSPW , MSPA , RSPA , VSPW , VSPA