

Coaxial High Pass Filter

VHFG-2100+

50Ω 2200 to 6000 MHz



Generic photo used for illustration purposes only
CASE STYLE: FF704

The Big Deal

- Excellent power handling, 4W
- Temperature stable
- Rugged unibody construction
- Good rejection, 47 dB typical

Product Overview

VHFG-2100+ is a 50Ω high pass filter built in rugged unibody construction. Covering 2200-6000 MHz bandwidth, these units offer good matching within the passband and good rejection in stopband. VHFG-2100+ offer low insertion loss, and excellent power handling capability. It handles up to 4W RF input power and provides a wide operating temperature range from -55°C to 125°C.

Key Features

Feature	Advantages
Low passband insertion loss	Suitable for high performance application.
4W Power handling	Supports a range of system power requirements.
Connectorized package	The connectorized package is easy to interface with other devices and well suited for test setups.

Notes

- A. Performance and quality attributes and conditions not expressly stated in this specification document are intended to be excluded and do not form a part of this specification document.
B. Electrical specifications and performance data contained in this specification document are based on Mini-Circuit's applicable established test performance criteria and measurement instructions.
C. The parts covered by this specification document are subject to Mini-Circuits standard limited warranty and terms and conditions (collectively, "Standard Terms"); Purchasers of this part are entitled to the rights and benefits contained therein. For a full statement of the Standard Terms and the exclusive rights and remedies thereunder, please visit Mini-Circuits' website at www.minicircuits.com/MCLStore/terms.jsp



High Pass Filter

VHFG-2100+

50Ω 2200 to 6000 MHz



Generic photo used for illustration purposes only
CASE STYLE: FF704

+RoHS Compliant
The +Suffix identifies RoHS Compliance. See our web site for RoHS Compliance methodologies and qualifications

Features

- Temperature stable
- Excellent power handling, 4W
- Connectorized package
- Rugged unibody construction

Applications

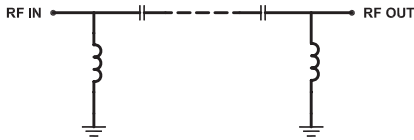
- Transmitters / Receivers
- Global positioning system(GPS)
- Satellite broadcast applications
- Wireless local area Network

Electrical Specifications at 25°C

Parameter		F#	Frequency (MHz)	Min.	Typ.	Max.	Unit
Stop Band	Rejection Loss	DC-F1	DC - 1050	40	47	-	dB
		DC-F2	DC - 1320	22	32	-	dB
	Freq. Cut-Off	F3*	2100	-	3.0	-	dB
Pass Band	Insertion Loss	F4-F7	2200 - 6000	-	2.0	-	dB
		F5-F6	2500 - 5000	-	1.0	1.8	dB
	Return Loss	F5-F6	2500 - 5000	-	15	-	dB

In Applications where DC voltage is present at either input or output ports, DC blocks are required.
* Typically, a ±5% frequency deviation from the stated value may occur on a unit-to-unit basis.

Functional Schematic



Maximum Ratings

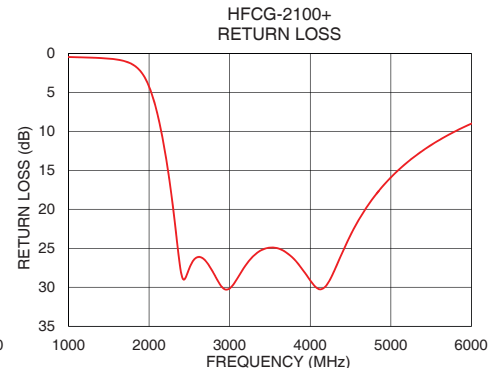
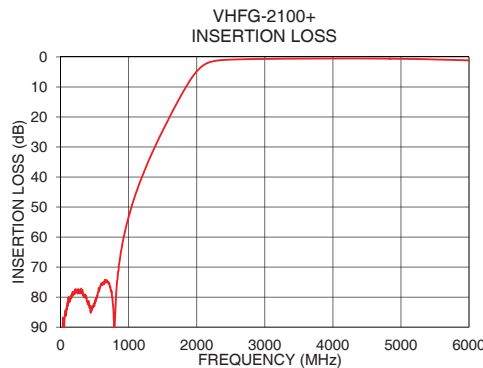
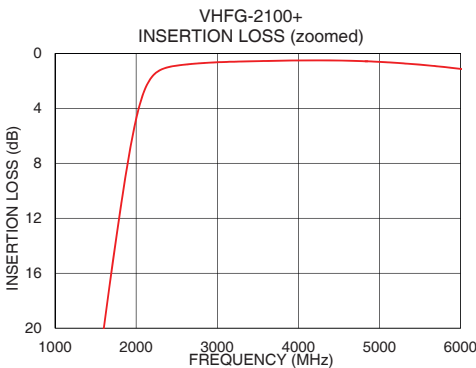
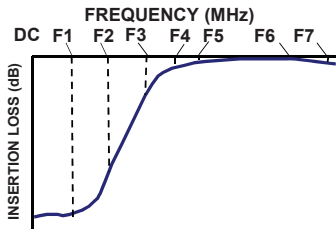
Operating Temperature	-55°C to 125°C
Storage Temperature	-55°C to 125°C
RF Power Input*	4W max. @25°C

*Passband rating, derate linearly to 0.8W at 125°C ambient
Permanent damage may occur if any of these limits are exceeded.

Typical Performance Data at 25°C

Frequency (MHz)	Insertion Loss (dB)	Return Loss (dB)
10	92.86	0.12
250	78.78	0.26
700	74.96	0.41
950	57.60	0.46
1050	49.26	0.48
1320	33.16	0.57
1380	30.17	0.60
1600	20.03	0.79
1700	15.71	1.01
1900	7.83	2.37
2050	3.61	5.72
2100	2.73	7.61
2200	1.67	12.77
2300	1.20	19.99
2500	0.89	27.56
3000	0.65	30.16
4000	0.52	29.12
5000	0.62	15.90
5600	0.88	11.13
6000	1.13	9.01

Typical Frequency Response



Notes

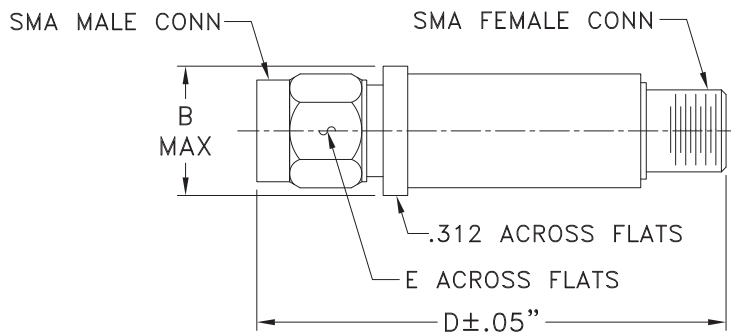
- Performance and quality attributes and conditions not expressly stated in this specification document are intended to be excluded and do not form a part of this specification document.
- Electrical specifications and performance data contained in this specification document are based on Mini-Circuits' applicable established test performance criteria and measurement instructions.
- The parts covered by this specification document are subject to Mini-Circuits standard limited warranty and terms and conditions (collectively, "Standard Terms"); Purchasers of this part are entitled to the rights and benefits contained therein. For a full statement of the Standard Terms and the exclusive rights and remedies thereunder, please visit Mini-Circuits' website at www.minicircuits.com/MCLStore/terms.jsp



Coaxial Connections

PORT - 1	SMA-Male
PORT - 2	SMA-Female

Outline Drawing



Outline Dimensions (inch)

B	D	E	wt.
.410	1.43	.312	grams
10.41	36.32	7.92	10

Note: Please refer to case style drawing for details

Notes

- A. Performance and quality attributes and conditions not expressly stated in this specification document are intended to be excluded and do not form a part of this specification document.
- B. Electrical specifications and performance data contained in this specification document are based on Mini-Circuit's applicable established test performance criteria and measurement instructions.
- C. The parts covered by this specification document are subject to Mini-Circuits standard limited warranty and terms and conditions (collectively, "Standard Terms"); Purchasers of this part are entitled to the rights and benefits contained therein. For a full statement of the Standard Terms and the exclusive rights and remedies thereunder, please visit Mini-Circuits' website at www.minicircuits.com/MCLStore/terms.jsp

