

Reflective

# SPDT RF Switch

## ZASW-2-50DRA+

50Ω DC<sup>2</sup> - 5000 MHz

### The Big Deal

- Wide bandwidth DC<sup>2</sup> to 5000 MHz
- High Isolation, 60 dB typ.
- Very fast switching, 20ns typ.
- Low video break thru 45 mVp-p typ.



CASE STYLE: CY353

### Product Overview

The ZASW-2-50DRA+ is an excellent high isolation, solid state SPDT, reflective RF switch. With its broad frequency range, fast switching time and excellent RF performance, the ZASW-2-50DRA+ is an excellent replacement for the Mini-Circuits' legacy switch model ZASW-2-50DR+. Refer app note [AN-80-020](#) for more details. The wide bandwidth, high isolation and fast switching characteristics makes this switch a versatile choice for several RF applications & systems.

### Key Features

Feature	Advantages
Integrated TTL Driver	-Operates at +5V to -5V -Low control current allows compatibility with a variety of driver circuits -Fast 20 ns typ. Switching time
Excellent for a Variety of Applications From Bench to Integrated Systems	-High speed testers -Automated switching networks -Wireless Infrastructure -Military
Excellent RF Performance	-Wide bandwidth: DC <sup>2</sup> to 5000 MHz -Good Insertion Loss: 2.5 dB Typ -Low video leakage, 45 mVp-p typ.

2. All RF connections must be blocked or held at 0V DC. Low frequency is determined by value of Coupling capacitors at RF ports.

#### Notes

- A. Performance and quality attributes and conditions not expressly stated in this specification document are intended to be excluded and do not form a part of this specification document.  
B. Electrical specifications and performance data contained in this specification document are based on Mini-Circuit's applicable established test performance criteria and measurement instructions.  
C. The parts covered by this specification document are subject to Mini-Circuits standard limited warranty and terms and conditions (collectively, "Standard Terms"); Purchasers of this part are entitled to the rights and benefits contained therein. For a full statement of the Standard Terms and the exclusive rights and remedies thereunder, please visit Mini-Circuits' website at [www.minicircuits.com/MCLStore/terms.jsp](http://www.minicircuits.com/MCLStore/terms.jsp)



Coaxial

# SPDT RF Switch

50Ω DC<sup>2</sup>-5000 MHz

Reflective RF Switch with Internal Driver  
Dual Supply Voltage, +5V to -5V

## Product Features

- Wide bandwidth, DC<sup>2</sup> to 5000 MHz
- Good Insertion loss, 2.5 dB typ.
- Internal TTL driver
- Fast switching, Rise/fall time, 4 ns typ.
- Wide operating temperature, -20°C to +85°C

## Typical Applications

- Cellular
- ISM, WCDMA, WIMAX
- PCN
- Automated switching networks
- Military

## General Description

The ZASW-2-50DRA+ is a 50Ω reflective, high isolation SPDT RF switch. It is designed for RF/wireless applications covering a broad frequency range from DC<sup>2</sup> to 5000 MHz with good insertion loss and Isolation. The ZASW-2-50DRA+ operates with a dual supply voltage ±5V. This unit includes an internal driver circuitry which makes it easier to control switching with standard voltage levels.



## ZASW-2-50DRA+

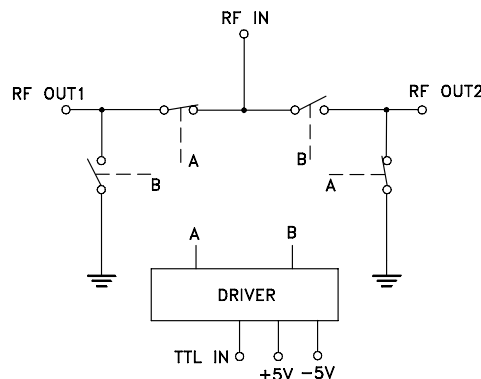
CASE STYLE: CY353

Connectors	Model
SMA	ZASW-2-50DRA+

### +RoHS Compliant

The +Suffix identifies RoHS Compliance. See our web site for RoHS Compliance methodologies and qualifications

## Schematic and Application Circuit



2. All RF connections must be blocked or held at 0V DC. Low frequency is determined by value of Coupling capacitors at RF ports.

### Notes

- A. Performance and quality attributes and conditions not expressly stated in this specification document are intended to be excluded and do not form a part of this specification document.  
B. Electrical specifications and performance data contained in this specification document are based on Mini-Circuit's applicable established test performance criteria and measurement instructions.  
C. The parts covered by this specification document are subject to Mini-Circuits standard limited warranty and terms and conditions (collectively, "Standard Terms"); Purchasers of this part are entitled to the rights and benefits contained therein. For a full statement of the Standard Terms and the exclusive rights and remedies thereunder, please visit Mini-Circuits' website at [www.minicircuits.com/MCLStore/terms.jsp](http://www.minicircuits.com/MCLStore/terms.jsp)



**RF Electrical Specifications, DC<sup>2</sup> - 5000 MHz, T<sub>AMB</sub>=25°C, Supply Voltage (+V, -V) =+5V, -5V**

Parameter	Condition (MHz)	Min.	Typ.	Max.	Units
Frequency Range		DC <sup>2</sup>		5000	MHz
Insertion Loss	DC <sup>2</sup> -100	—	1.3	2.0	dB
	100-1000	—	1.7	2.5	
	1000-2000	—	1.8	3.0	
	2000-5000	—	3.0	4.5	
Isolation between Common port and RF1/RF2 Ports	DC <sup>2</sup> -100	80	100	—	dB
	100-1000	75	90	—	
	1000-2000	65	82	—	
	2000-5000	35	60	—	
Return Loss (IN PORT)	DC <sup>2</sup> -5000	—	14	—	dB
Return Loss @ RF1/RF2 ports (ON STATE)	DC <sup>2</sup> -5000	—	14.5	—	dB
Input 1dB Compression <sup>(1)</sup>	DC <sup>2</sup> -100	—	—	—	dBm
	100-1000	—	>20	—	
	1000-2000	—	>24	—	
	2000-5000	—	>23	—	
<b>DC Electrical Specifications</b>					
Supply Voltage (+V)		—	5	—	V
Supply Voltage (-V)			-5		V
Positive Supply Current	+V=5V		4.6		mA
Negative Supply Current	-V=-5V		-8.2		mA
Control Voltage Low		0		0.7	V
Control Voltage High		2.1		5	V
Control Current		—	—	2	mA
<b>Switching Specifications</b>					
Rise/Fall Time (10 to 90% or 90 to 10% RF)	+V=5V, -V=-5V	—	5	—	nSec
Switching Time (50% CTRL to 90/10% RF)	+V=5V, -V=-5V	—	20	—	nSec
Video Feed through (Control 0-5V, Frequency 1 MHz)	+V=5V, -V=-5V	—	45	—	mV <sub>P-P</sub>

1. At low frequency(<100 MHz), the dynamic range of switch decreases.

**Absolute Maximum Ratings**

Parameter	Ratings
Operating Temperature	-20°C to 85°C
Storage Temperature	-55°C to 100°C
Supply Voltage (+V & -V)	+5.5V, -5.5V
Voltage Control	-0.2V min, +5.5V max
RF input power <sup>3</sup>	31 dBm
ESD, HBM	Class 1A (250 to <500V) per JEESD22-A114

2. All RF connections must be blocked or held at 0V DC. Low frequency is determined by value of Coupling capacitors at RF ports.

3. Frequency range of 500-5000 MHz.

**Notes**

A. Performance and quality attributes and conditions not expressly stated in this specification document are intended to be excluded and do not form a part of this specification document.

B. Electrical specifications and performance data contained in this specification document are based on Mini-Circuit's applicable established test performance criteria and measurement instructions.

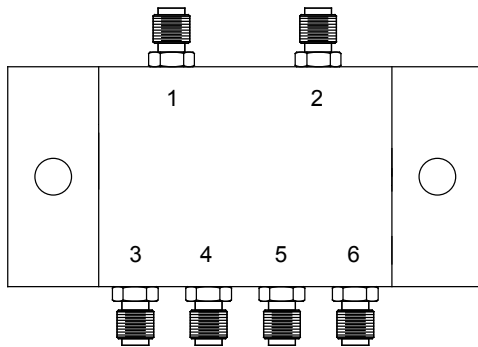
C. The parts covered by this specification document are subject to Mini-Circuits standard limited warranty and terms and conditions (collectively, "Standard Terms"); Purchasers of this part are entitled to the rights and benefits contained therein. For a full statement of the Standard Terms and the exclusive rights and remedies thereunder, please visit Mini-Circuits' website at [www.minicircuits.com/MCLStore/terms.jsp](http://www.minicircuits.com/MCLStore/terms.jsp)



**Truth Table** (State of control voltage selects the desired switch state)

State of Control Voltage	Switch State - RF IN to	
	RF1	RF2
Low	ON	OFF
High	OFF	ON
ON- low insertion loss state OFF- Isolation State		

**Coaxial Configuration**



**Coaxial Connections**

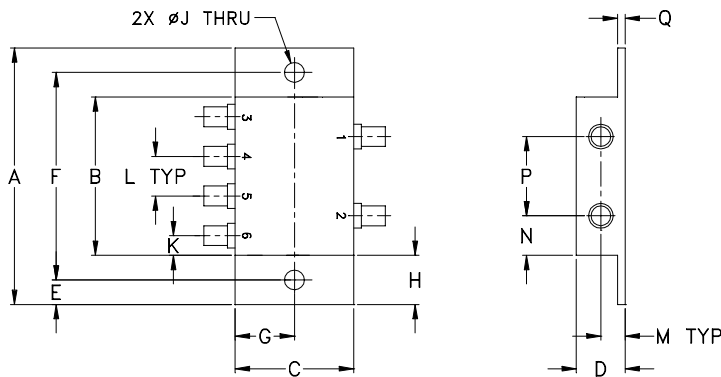
Function	Port Number	Description
RF IN	1	RF Common/ SUM Port
RF1	3	RF Out #1/In Port #1
RF2	6	RF Out #2/In Port #2
Control	4	TTL Control IN
+5V	2	Positive Supply Voltage
-5V	5	Negative Supply Voltage

**Notes**

- A. Performance and quality attributes and conditions not expressly stated in this specification document are intended to be excluded and do not form a part of this specification document.
- B. Electrical specifications and performance data contained in this specification document are based on Mini-Circuit's applicable established test performance criteria and measurement instructions.
- C. The parts covered by this specification document are subject to Mini-Circuits standard limited warranty and terms and conditions (collectively, "Standard Terms"); Purchasers of this part are entitled to the rights and benefits contained therein. For a full statement of the Standard Terms and the exclusive rights and remedies thereunder, please visit Mini-Circuits' website at [www.minicircuits.com/MCLStore/terms.jsp](http://www.minicircuits.com/MCLStore/terms.jsp)



Outline Drawing (CY353)



Outline Dimensions (inch mm)

A	B	C	D	E	F	G	H
3.24	2.00	1.50	.62	.31	2.620	.75	.62
82.30	50.80	38.10	15.75	7.87	66.55	19.05	15.75
J	K	L	M	N	P	Q	wt
.250	.25	.50	.31	.50	1.00	.13	grams
6.35	6.35	12.70	7.87	12.70	25.40	3.30	65.0

Additional Detailed Technical Information

Additional information is available on our web site. To access this information enter the model number on our web site home page.	
<b>Performance Data</b>	Data Table
	Swept Graphs
	S-Parameter (S2P Files) Data Set (.zip file)
<b>Case Style</b>	<b>CY353</b>
<b>Environmental Ratings</b>	<b>ENV28T16</b>

Notes

- A. Performance and quality attributes and conditions not expressly stated in this specification document are intended to be excluded and do not form a part of this specification document.
- B. Electrical specifications and performance data contained in this specification document are based on Mini-Circuit's applicable established test performance criteria and measurement instructions.
- C. The parts covered by this specification document are subject to Mini-Circuits standard limited warranty and terms and conditions (collectively, "Standard Terms"); Purchasers of this part are entitled to the rights and benefits contained therein. For a full statement of the Standard Terms and the exclusive rights and remedies thereunder, please visit Mini-Circuits' website at [www.minicircuits.com/MCLStore/terms.jsp](http://www.minicircuits.com/MCLStore/terms.jsp)

