

Power Splitter/Combiner

ZC4PD-900-S+

4 Way-0° 50Ω 800 to 900 MHz



CASE STYLE: Z184

Connectors	Model
SMA	ZC4PD-900-S+

+RoHS Compliant
The +Suffix identifies RoHS Compliance. See our web site for RoHS Compliance methodologies and qualifications

Maximum Ratings

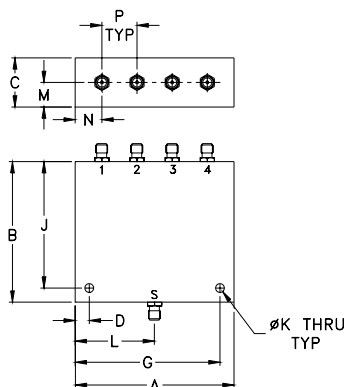
Operating Temperature	-55°C to 100°C
Storage Temperature	-55°C to 100°C
Power Input (as a splitter)	10W max.
Internal Dissipation	0.375W max.
DC Current	1.0 A (250mA for each port)

Permanent damage may occur if any of these limits are exceeded.

Coaxial Connections

SUM PORT	S
PORT 1	1
PORT 2	2
PORT 3	3
PORT 4	4

Outline Drawing



Outline Dimensions (inch/mm)

A	B	C	D	G	J
2.26	2.00	.70	.200	2.060	1.800
57.40	50.80	17.78	5.08	52.32	45.72
K	L	M	N	P	wt
.125	1.13	.35	.38	.500	grams
3.18	28.70	8.89	9.65	12.70	59

Features

- high isolation, 30dB typ.
- excellent VSWR
- up to 10W power input as splitters

Applications

- cellular
- communication systems

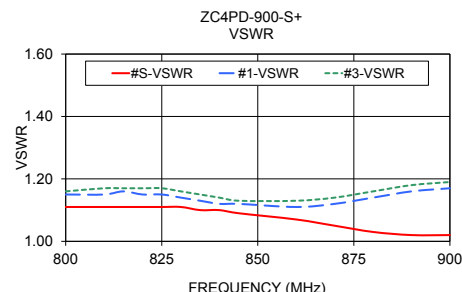
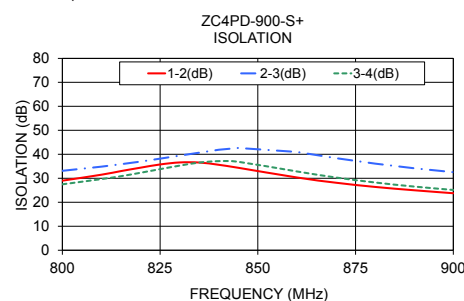
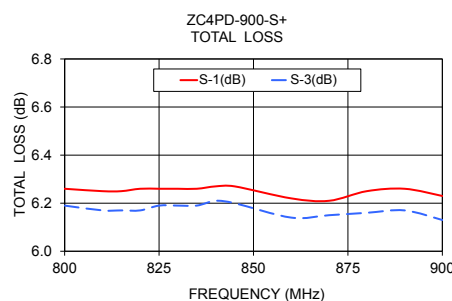
Electrical Specifications

FREQ. RANGE (MHz)	ISOLATION (dB)		INSERTION LOSS (dB) ABOVE 6.0 dB		PHASE UNBALANCE (Degrees)	AMPLITUDE UNBALANCE (dB)	VSWR (:1)			
	Typ.	Min.	Typ.	Max.			S		OUT	
f _L -f _U					Max.	Max.	Typ.	Max.	Typ.	Max.
800-900	30	20	0.3	0.6	3	0.2	1.08	1.25	1.17	1.30

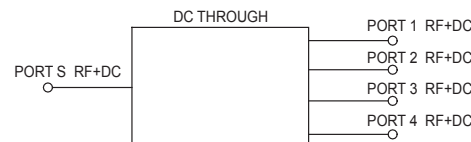
Typical Performance Data

Freq. (MHz)	Total Loss ¹ (dB)				Amp. Unbal. (dB)	Isolation (dB)			Phase Unbal. (deg.)	VSWR S	VSWR 1	VSWR 2	VSWR 3	VSWR 4
	S-1	S-2	S-3	S-4		1-2	2-3	3-4						
800.00	6.26	6.27	6.19	6.22	0.08	29.00	33.10	27.48	0.41	1.11	1.15	1.15	1.16	1.17
810.00	6.25	6.25	6.17	6.19	0.08	31.49	34.86	29.66	0.52	1.11	1.15	1.16	1.17	1.17
815.00	6.25	6.26	6.17	6.19	0.09	33.00	35.88	30.87	0.45	1.11	1.16	1.16	1.17	1.17
820.00	6.26	6.24	6.17	6.21	0.08	34.42	36.97	32.30	0.47	1.11	1.15	1.16	1.17	1.17
825.00	6.26	6.26	6.19	6.21	0.08	35.76	38.19	33.81	0.41	1.11	1.15	1.15	1.17	1.16
830.00	6.26	6.27	6.19	6.21	0.08	36.60	39.45	35.27	0.49	1.11	1.14	1.15	1.16	1.16
835.00	6.26	6.27	6.19	6.22	0.08	36.57	40.67	36.55	0.48	1.10	1.13	1.14	1.15	1.15
840.00	6.27	6.28	6.21	6.24	0.06	35.62	41.88	37.15	0.55	1.10	1.12	1.13	1.14	1.14
845.00	6.27	6.28	6.20	6.23	0.08	34.37	42.64	36.87	0.60	1.09	1.12	1.12	1.13	1.13
860.00	6.22	6.24	6.14	6.18	0.09	30.33	40.98	32.84	0.54	1.07	1.11	1.11	1.13	1.13
870.00	6.21	6.23	6.15	6.19	0.08	28.14	38.39	30.31	0.70	1.05	1.12	1.13	1.14	1.15
880.00	6.25	6.25	6.16	6.20	0.09	26.39	36.10	28.24	0.63	1.03	1.14	1.15	1.16	1.17
890.00	6.26	6.26	6.17	6.20	0.09	25.00	34.17	26.54	0.62	1.02	1.16	1.17	1.18	1.19
900.00	6.23	6.24	6.13	6.17	0.11	23.76	32.54	25.13	0.57	1.02	1.17	1.17	1.19	1.19

1. Total Loss = Insertion Loss + 6dB splitter loss.



electrical schematic



Notes

- Performance and quality attributes and conditions not expressly stated in this specification document are intended to be excluded and do not form a part of this specification document.
- Electrical specifications and performance data contained in this specification document are based on Mini-Circuit's applicable established test performance criteria and measurement instructions.
- The parts covered by this specification document are subject to Mini-Circuits standard limited warranty and terms and conditions (collectively, "Standard Terms"); Purchasers of this part are entitled to the rights and benefits contained therein. For a full statement of the Standard Terms and the exclusive rights and remedies thereunder, please visit Mini-Circuits' website at www.minicircuits.com/WCLStore/terms.jsp

